

OBSOLETE

Operating instructions
Betriebsanleitung

Resistance thermometer, compact design
Model TR30

EN

Widerstandsthermometer, Kompaktausführung
Typ TR30

DE

CE



Model TR30
with angular connector



Model TR30
with circular connector

WIKAI

Part of your business

EN Operating instructions model TR30

Page 3 - 26

DE Betriebsanleitung Typ TR30

Seite 27 - 50

Further languages can be found at www.wika.com.

© 04/2010 WIKA Alexander Wiegand SE & Co. KG
All rights reserved. / Alle Rechte vorbehalten.
WIKA® is a registered trademark in various countries.
WIKA® ist eine geschützte Marke in verschiedenen Ländern.

Prior to starting any work, read the operating instructions!
Keep for later use!

Vor Beginn aller Arbeiten Betriebsanleitung lesen!
Zum späteren Gebrauch aufbewahren!

Contents

1. General information	4
2. Safety	6
3. Specifications	10
4. Design and function	13
5. Transport, packaging and storage	15
6. Commissioning, operation	16
7. Configuration model TR30-W	19
8. Connecting PU-548 programming unit	22
9. Maintenance and cleaning	24
10. Dismounting, return and disposal	25

Declarations of conformity can be found online at www.wika.com.

1. General information

1. General information

EN

- The resistance thermometer described in the operating instructions has been designed and manufactured using state-of-the-art technology. All components are subject to stringent quality and environmental criteria during production. Our management systems are certified to ISO 9001 and ISO 14001.
- These operating instructions contain important information on handling the instrument. Working safely requires that all safety instructions and work instructions are observed.
- Observe the relevant local accident prevention regulations and general safety regulations for the instrument's range of use.
- The operating instructions are part of the product and must be kept in the immediate vicinity of the instrument and readily accessible to skilled personnel at any time.
- Skilled personnel must have carefully read and understood the operating instructions prior to beginning any work.
- The manufacturer's liability is void in the case of any damage caused by using the product contrary to its intended use, non-compliance with these operating instructions, assignment of insufficiently qualified skilled personnel or unauthorised modifications to the instrument.
- The general terms and conditions contained in the sales documentation shall apply.
- Subject to technical modifications.
- Further information:
 - Internet address: www.wika.de / www.wika.com
 - Relevant data sheet: TE 60.30
 - Application consultant: Tel.: +49 9372 132-0
info@wika.de

1. General information

Explanation of symbols



WARNING!

... indicates a potentially dangerous situation that can result in serious injury or death, if not avoided.

EN



CAUTION!

... indicates a potentially dangerous situation that can result in light injuries or damage to equipment or the environment, if not avoided.



Information

... points out useful tips, recommendations and information for efficient and trouble-free operation.



DANGER!

... identifies hazards caused by electrical power. Should the safety instructions not be observed, there is a risk of serious or fatal injury.



WARNING!

... indicates a potentially dangerous situation that can result in burns, caused by hot surfaces or liquids, if not avoided.

Abbreviations

- 2-wire The lead resistance is recorded as an error in the measurement.
- 3-wire With a cable length of 30 m or longer, measuring errors can occur.
- 4-wire The lead resistance can be neglected.

2. Safety

2. Safety

EN



WARNING!

Before installation, commissioning and operation, ensure that the appropriate resistance thermometer has been selected in terms of measuring range, design, specific measuring conditions and appropriate wetted parts' materials (corrosion).

Non-observance can result in serious injury and/or damage to the equipment.



Further important safety instructions can be found in the individual chapters of these operating instructions.

2.1 Intended use

The resistance thermometer model TR30 is used as general-purpose thermometer for the measurement of temperatures from $-50 \dots +150 \text{ }^{\circ}\text{C}$ (without neck tube) and $-50 \dots +250 \text{ }^{\circ}\text{C}$ (with neck tube) in liquid and gaseous media. It can be used for pressures up to 40 bar (special designs to 400 bar dependent on insertion length and diameter).

The instrument has been designed and built solely for the intended use described here, and may only be used accordingly.

The technical specifications contained in these operating instructions must be observed. Improper handling or operation of the instrument outside of its technical specifications requires the instrument to be taken out of service immediately and inspected by an authorised WIKA service engineer.

If the instrument is transported from a cold into a warm environment, the formation of condensation may result in the instrument malfunctioning. Before putting it back into operation, wait for the instrument temperature and the room temperature to equalise.

The manufacturer shall not be liable for claims of any type based on operation contrary to the intended use.

2. Safety

2.2 Personnel qualification



WARNING!

Risk of injury if qualification is insufficient!

Improper handling can result in considerable injury and damage to equipment.

- The activities described in these operating instructions may only be carried out by skilled personnel who have the qualifications described below.
- Keep unqualified personnel away from hazardous areas.

EN

Skilled personnel

Skilled personnel are understood to be personnel who, based on their technical training, knowledge of measurement and control technology and on their experience and knowledge of country-specific regulations, current standards and directives, are capable of carrying out the work described and independently recognising potential hazards.

Special operating conditions require further appropriate knowledge, e.g. of aggressive media.

2.3 Special hazards



WARNING!

For hazardous media such as oxygen, acetylene, flammable or toxic gases or liquids, and refrigeration plants, compressors, etc., in addition to all standard regulations, the appropriate existing codes or regulations must also be followed.



WARNING!

Protection from electrostatic discharge (ESD) required. The proper use of grounded work surfaces and personal wrist straps is required when working with exposed circuitry (printed circuit boards), in order to prevent static discharge from damaging sensitive electronic components.

2. Safety

EN



To ensure safe working on the instrument, the operating company must ensure

- that suitable first-aid equipment is available and aid is provided whenever required,
- that the operating personnel are regularly instructed in all topics regarding work safety, first aid and environmental protection, and know the operating instructions, in particular the section on safety instructions.



DANGER!

Danger of death caused by electric current

Upon contact with live parts, there is a direct danger of death.

- The instrument may only be installed and mounted by skilled personnel.
- Operation using a defective power supply unit (e.g. short circuit from the mains voltage to the output voltage) can result in life-threatening voltages at the instrument!



WARNING!

Residual media in dismantled instruments can result in a risk to personnel, the environment and equipment.

Take sufficient precautionary measures.

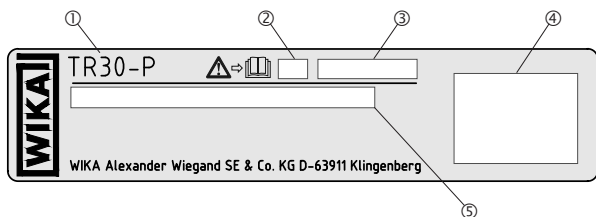
Do not use this instrument in safety or Emergency Stop devices. Incorrect use of the instrument can result in injury.

Should a failure occur, aggressive media with extremely high temperature and under high pressure or vacuum may be present at the instrument.

2. Safety

2.4 Labelling, safety marks

Product label (example)



- ① Model
- ② Year of manufacture
- ③ Serial number
- ④ Electrical connection
- ⑤ Information on version (measuring element, output signal, measuring range...)
 - Thermometer with transmitter and 4 ... 20 mA output signal
 - Thermometer with direct sensor output with Pt100



Before mounting and commissioning the instrument, ensure you read the operating instructions!

3. Specifications

3. Specifications

■ Output signal Pt100, model TR30-P

Measuring element and measuring insert

The Pt100 measuring element is located in the thermometer's probe tip.

Output signal Pt100, model TR30-P

Temperature range	
■ Class A	Without neck tube -30 ... +150 °C (-22 ... +302 °F) With neck tube -30 ... +250 °C (-22 ... +482 °F)
■ Class B	Without neck tube -50 ... +150 °C (-58 ... +302 °F) With neck tube -50 ... +250 °C (-58 ... +482 °F)
Measuring element	Pt100 (measuring current: 0.1 ... 1.0 mA)
Connection method	■ 2-wire ■ 3-wire ■ 4-wire
Sensor tolerance value per IEC 60751	■ Class B ■ Class A
Electrical connection	■ M12 x 1 circular connector (4-pin) ■ DIN angular connector form A (for cable with Ø 6 ... 8 mm, cross section max. 1.5 mm ²)

For detailed specifications for Pt100 sensors, see Technical Information IN 00.17 at www.wika.com.

■ Output signal 4 ... 20 mA, model TR30-W

Measuring element and measuring insert

The Pt100 measuring element is located in the thermometer's probe tip.

The 4 ... 20 mA transmitter is mounted and potted within the tubular body of the thermometer.

Output signal 4 ... 20 mA, model TR30-W

Temperature range ¹⁾	
■ Class A	Without neck tube -30 ... +150 °C (-22 ... +302 °F) With neck tube -30 ... +250 °C (-22 ... +482 °F)
■ Class B	Without neck tube -50 ... +150 °C (-58 ... +302 °F) With neck tube -50 ... +250 °C (-58 ... +482 °F)
Measuring element	Pt100 (measuring current: 0.5 mA)
Sensor tolerance value per IEC 60751	■ Class B ■ Class A
Measuring span	Minimum 20 K, maximum 300 K

3. Specifications

EN

Output signal 4 ... 20 mA, model TR30-W	
Basic configuration	Measuring range 0 ... 150 °C, other measuring ranges are adjustable
Analogue output	4 ... 20 mA, 2-wire
Measuring error per IEC 60770, 23 °C ±5 K	1 % (Transmitter) ²⁾
Linearisation	Linear with temperature per DIN EN 60751
Linearisation error	±0.1 % ³⁾
Switch-on delay, electrical	< 10 ms
Current signal for fault signal	Configurable in accordance with NAMUR NE43 downscale ≤ 3.6 mA upscale ≥ 21.0 mA
Sensor short-circuit	Not configurable, generally NAMUR downscale ≤ 3.6 mA
Load R _A	$R_A \leq (U_B - 9 \text{ V}) / 0.023 \text{ A}$ with R _A in Ω and U _B in V
Effect of load	±0.05 % / 100 Ω
Power supply U _B	DC 10 ... 35 V
Max. permissible residual ripple	10 % at 24 V / maximum 300 Ω Load
Power supply input	Protected against reverse polarity
Power supply effect	±0.025 % / V
Electromagnetic compatibility (EMC)	EN 61326 emission (Group 1, Class B) and immunity (industrial application) ⁴⁾ , and also per NAMUR NE21
Temperature units	Configurable °C, °F, K
Info data	TAG No., descriptor and message can be stored in transmitter
Configuration and calibration data	Permanently stored in EEPROM
Electrical connection	<ul style="list-style-type: none"> ■ M12 x 1 circular connector (4-pin) ■ DIN angular connector form A (for cable with Ø 6 ... 8 mm, cross section max. 1.5 mm²)

Readings in % refer to the measuring span

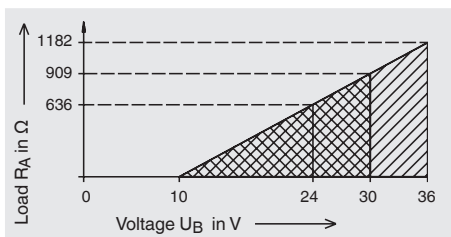
For a correct determination of the overall measuring error, both sensor and transmitter measuring deviations have to be considered.

- 1) The temperature transmitter should therefore be protected from temperatures over 85 °C (185 °F).
- 2) For measuring spans smaller than 50 K additional 0.1 K
- 3) ±0.2 % for measuring ranges with a lower limit less than 0 °C
- 4) Use resistance thermometers with shielded cable, and ground the shield on at least one end of the lead, if the cables are longer than 30 m or leave the building.

3. Specifications

Load diagram

EN



The permissible load depends on the loop supply voltage.

For setting the measuring range see chapter 7 “Configuration model TR30-W”.

For further specifications see WIKA data sheet TE 60.30.

4. Design and function

4. Design and function

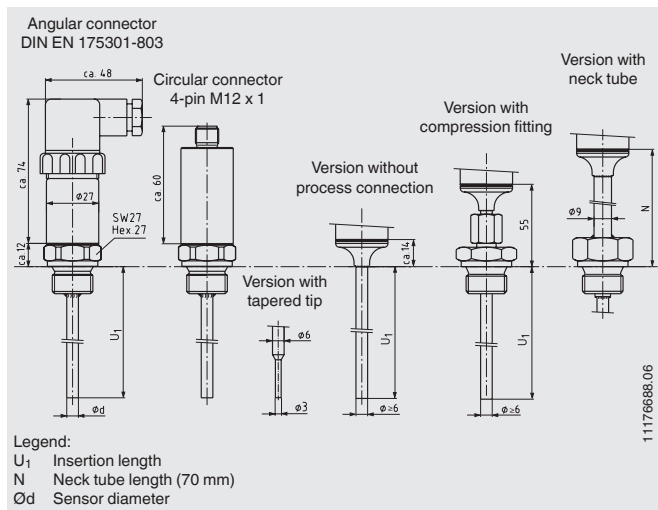
4.1 Description

The resistance thermometer model TR30 consists of a thermowell with fixed process connection, and is screwed directly into the process. It is designed to be resistant to shock and vibration and all electrical components are protected against splashed water. The vibration resistance of the standard version complies with DIN EN 60751 (up to 3 g); specific designs can withstand up to 10 g. The impact resistance for all versions meets the requirements of DIN EN 60751. The electrical connection is made via an angular DIN connector, Form A or M12 x 1 circular connector.

EN

4.2 Dimensions in mm

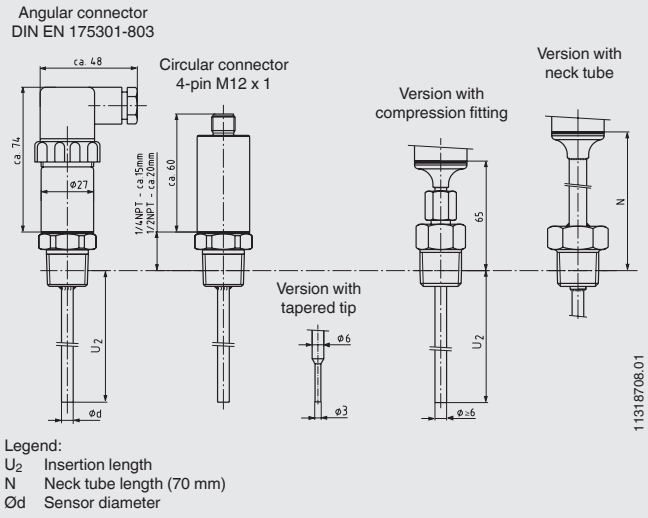
- Process connection with parallel threads (or without process connection)



4. Design and function

■ Process connection with tapered threads

EN



4.3 Scope of delivery

Cross-check scope of delivery with the delivery note.

5. Transport, packaging and storage

5. Transport, packaging and storage

EN

5.1 Transport

Check the instrument for any damage that may have been caused during transportation. Obvious damage must be reported immediately.

5.2 Packaging

Do not remove packaging until just before mounting.

Keep the packaging as it will provide optimum protection during transport (e.g. change in installation site, sending for repair).

5.3 Storage

Permissible conditions at the place of storage:

- Storage temperature: 0 ... 70 °C
- Humidity: 35 ... 85 % relative humidity (no condensation)

Avoid exposure to the following factors:

- Direct sunlight or proximity to hot objects
- Mechanical vibration, mechanical shock (putting it down hard)
- Soot, vapour, dust and corrosive gases
- Potentially explosive environments, flammable atmospheres

Store the instrument in its original packaging in a location that fulfils the conditions listed above. If the original packaging is not available, pack and store the instrument as described below:

1. Wrap the instrument in an antistatic plastic film.
2. Place the instrument, along with shock-absorbent material, in the packaging.
3. If stored for a prolonged period of time (more than 30 days), place a bag containing a desiccant inside the packaging.



WARNING!

Before storing the instrument (following operation), remove any residual media. This is of particular importance if the medium is hazardous to health, e.g. caustic, toxic, carcinogenic, radioactive, etc.

6. Commissioning, operation

6. Commissioning, operation

EN



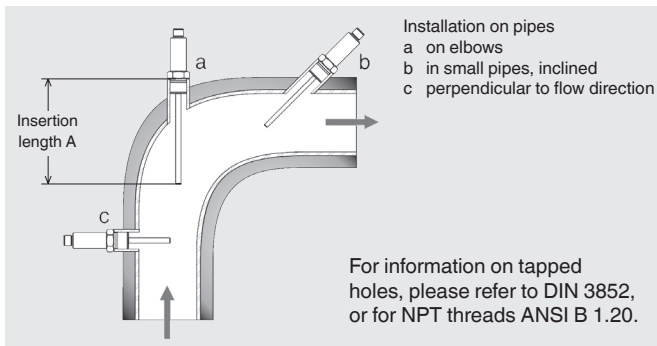
WARNING!

Avoid putting mechanical stress on the electrical connections or on the enclosures. The maximum temperatures of $-50 \dots +150 \text{ }^{\circ}\text{C}$ (without neck tube) and $-50 \dots +250 \text{ }^{\circ}\text{C}$ (with neck tube) must not be exceeded. Connections must only be opened when the instrument is depressurised and has cooled down.

6.1 Mounting

These resistance thermometers are designed for screw-fitting directly into the process. The insertion length, along with the flow velocity and viscosity of the process media, may reduce the max. loading on the thermowell.

Installation examples

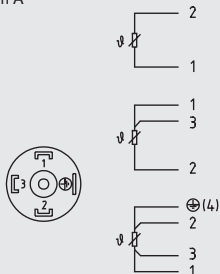


6. Commissioning, operation

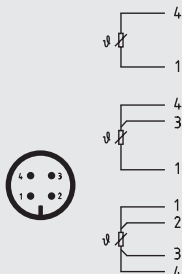
6.2 Electrical connection

6.2.1 Output signal Pt100, model TR30-P

Angular connector DIN EN 175301-803, Form A



Circular connector M12 x 1 (4-pin)



EN

6.2.2 Output signal 4 ... 20 mA, model TR30-W



DANGER!

Danger to life caused by electric current

Upon contact with live parts, there is a direct danger to life.

- The instrument may only be installed and mounted by skilled personnel.
- Operation using a defective power supply unit (e.g. short-circuit from the mains voltage to the output voltage) can result in life-threatening voltages at the instrument!
- Carry out mounting work only with power disconnected.

This is protection class 3 equipment for connection at low voltages, which are separated from the power supply or voltages of greater than AC 50 V or DC 120 V. Preferably, a connection to an SELV or PELV circuit is recommended; alternatively protective measures from HD 60346-4-41 (DIN VDE 0100-410).

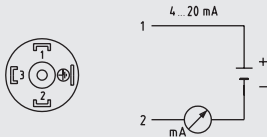
6. Commissioning, operation

Alternatively for North America

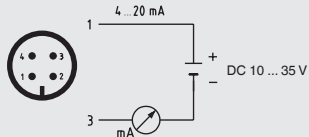
The connection can be made in line with “Class 2 Circuits” or “Class 2 Power Units” in accordance with CEC (Canadian Electrical Code) or NEC (National Electrical Code).

EN

Angular connector DIN EN 175301-803, Form A



Circular connector M12 x 1 (4-pin)



Version with angular connector (DIN EN 175301-803)

For the cable leads we recommend the use of crimped ferrules.

To ensure IP65 ingress protection:

- Always use the silicon seals
- Tighten the locking screw
- Ensure the cables are inserted carefully



7. Configuration model TR30-W

7. Configuration model TR30-W

Configuration is carried out via a USB interface with a PC via the model PU-548 programming unit (accessories, order no. 14231581). The connection with the thermometer is made via the appropriate adapter cable.

- Accessories, M12 x 1 circular connector: order no. 14003193
- Accessories, angular DIN connector: order no. 14005324

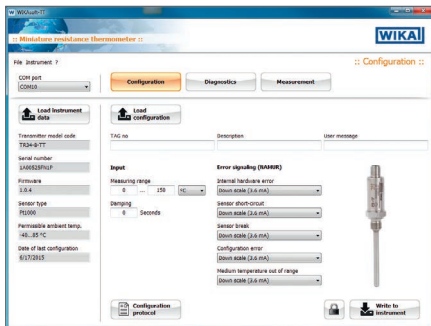
Measuring range, signalisation and also further parameters are configurable; see configuration software.



- Easy to use
- LED status display
- Compact version
- No further power supply is needed for either the programming unit or for the transmitter
- Measuring the loop current of resistance thermometers are possible

(replaces programming unit model PU-448)

Screenshot from the configuration software



7. Configuration model TR30-W

The lower limit of the measuring range is configurable between -50 ...+150 °C.

EN

The possible upper limit of the measuring range is dependent on the respective lower limit of the measuring range. For possible combinations of lower and upper limits of the measuring range, see diagram. For clarity, this dependency has been shown in 50 °C steps in the examples in this diagram. The configuration software checks the required measuring range and will only accept permissible values. Intermediate values are configurable; the smallest increment is 0.1 °C. The thermometers are delivered with a basic configuration (0 ... 150 °C, downscale) or configured to customer specifications within the configurable limits.

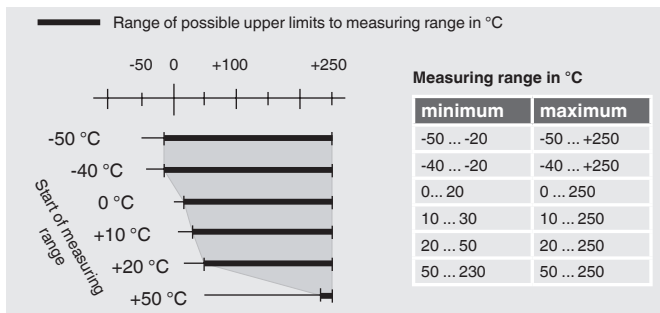
With configuration to customer specifications, the measuring range will be shown clearly on the instrument label. The configuration and the choice of parameters is described in the menu-driven configuration software. Changes to the configuration must be noted on the label using a water-resistant felt-tip pen.

Possible combinations of the lower and upper limits of the measuring range

The upper limit of the measuring range is dependent on the respective lower limit of the measuring range. For clarity, this dependency has been shown in 50 °C steps in the examples in these diagrams. The configuration software checks the required measuring range and will only accept permissible values. Intermediate values are configurable; the smallest increment is 0.1 °C.

7. Configuration model TR30-W

Diagram for measuring range for model TR30-W



EN

Please note:

The measuring range of the thermometer is limited by the application range of the measuring element, not by the adjustable range of the transmitter.

without neck tube -50 ... +150 °C (-58 ... +302 °F)

with neck tube -50 ... +250 °C (-58 ... +482 °F)

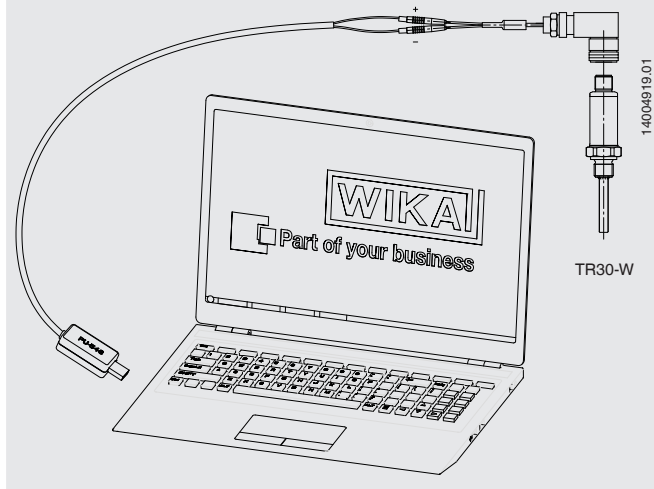
8. Connecting PU-548 programming unit

8. Connecting PU-548 programming unit

EN

Adapter cable for M12 connector

Connection PU-548 ↔ adapter cable with M12 connector

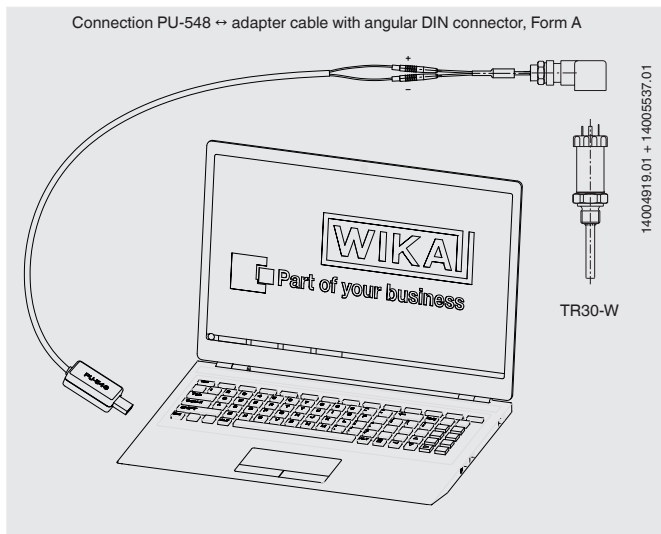


(predecessor, programming unit model PU-448, also compatible)

8. Connecting PU-548 programming unit

Adapter cable for angular DIN connector, Form A

Connection PU-548 ↔ adapter cable with angular DIN connector, Form A



14004919.01 + 14005537.01

EN

TR30-W

(predecessor, programming unit model PU-448, also compatible)

9. Maintenance and cleaning

9. Maintenance and cleaning

EN

9.1 Maintenance

The resistance thermometers described here require absolutely no maintenance and contain no components which could be repaired or replaced.

9.2 Cleaning



CAUTION!

- Before cleaning the instrument disconnect the electrical connections.
- Clean the instrument with a moist cloth.
- Electrical connections must not come into contact with moisture.
- Wash or clean the dismantled instrument before returning it in order to protect personnel and the environment from exposure to residual media.
- Residual media in dismantled instruments can result in a risk to persons, the environment and equipment. Take sufficient precautionary measures.



For information on returning the instrument see chapter 10.2 "Return".

10. Dismounting, return and disposal

10. Dismounting, return and disposal

EN



WARNING!

Residual media in dismantled instruments can result in a risk to personnel, the environment and equipment.
Take sufficient precautionary measures.

10.1 Dismounting



WARNING!

Risk of burns!

Let the instrument cool down sufficiently before dismantling!
During dismantling there is a risk of dangerously hot pressure media escaping.

Only disconnect the resistance thermometer once the system has been depressurised!

10.2 Return



WARNING!

Absolutely observe when shipping the instrument:

All instruments delivered to WIKA must be free from any kind of hazardous substances (acids, leachate, solutions, etc.).

When returning the instrument, use the original packaging or a suitable transport package.

To avoid damage:

1. Wrap the instrument in an antistatic plastic film.
2. Place the instrument, along with shock-absorbent material, in the packaging. Place shock-absorbent material evenly on all sides of the shipping box.
3. If possible, place a bag containing a desiccant inside the packaging.
4. Label the shipment as carriage of a highly sensitive measuring instrument.

10. Dismounting, return and disposal



Information on returns can be found under the heading “Service” on our local website.

EN

10.3 Disposal

Incorrect disposal can put the environment at risk.

Dispose of instrument components and packaging materials in an environmentally compatible way and in accordance with the country-specific waste disposal regulations.

Inhalt

1. Allgemeines	28
2. Sicherheit	30
3. Technische Daten	34
4. Aufbau und Funktion	37
5. Transport, Verpackung und Lagerung	39
6. Inbetriebnahme, Betrieb	40
7. Konfiguration Typ TR30-W	43
8. Programmiereinheit PU-548 anschließen	46
9. Wartung und Reinigung	48
10. Demontage, Rücksendung und Entsorgung	49

Konformitätserklärungen finden Sie online unter www.wika.de.

1. Allgemeines

1. Allgemeines

DE

- Das in der Betriebsanleitung beschriebene Widerstandsthermometer wird nach dem aktuellen Stand der Technik konstruiert und gefertigt. Alle Komponenten unterliegen während der Fertigung strengen Qualitäts- und Umweltkriterien. Unsere Managementsysteme sind nach ISO 9001 und ISO 14001 zertifiziert.
- Diese Betriebsanleitung gibt wichtige Hinweise zum Umgang mit dem Gerät. Voraussetzung für sicheres Arbeiten ist die Einhaltung aller angegebenen Sicherheitshinweise und Handlungsanweisungen.
- Die für den Einsatzbereich des Gerätes geltenden örtlichen Unfallverhütungsvorschriften und allgemeinen Sicherheitsbestimmungen einhalten.
- Die Betriebsanleitung ist Produktbestandteil und muss in unmittelbarer Nähe des Gerätes für das Fachpersonal jederzeit zugänglich aufbewahrt werden.
- Das Fachpersonal muss die Betriebsanleitung vor Beginn aller Arbeiten sorgfältig durchgelesen und verstanden haben.
- Die Haftung des Herstellers erlischt bei Schäden durch bestimmungswidrige Verwendung, Nichtbeachten dieser Betriebsanleitung, Einsatz ungenügend qualifizierten Fachpersonals sowie eigenmächtiger Veränderung am Gerät.
- Es gelten die allgemeinen Geschäftsbedingungen in den Verkaufsunterlagen.
- Technische Änderungen vorbehalten.
- Weitere Informationen:
 - Internet-Adresse: www.wika.de / www.wika.com
 - zugehöriges Datenblatt: TE 60.30
 - Anwendungsberater: Tel.: +49 9372 132-0
info@wika.de

1. Allgemeines

Symbolerklärung



WARNUNG!

... weist auf eine möglicherweise gefährliche Situation hin, die zum Tod oder zu schweren Verletzungen führen kann, wenn sie nicht gemieden wird.



VORSICHT!

... weist auf eine möglicherweise gefährliche Situation hin, die zu geringfügigen oder leichten Verletzungen bzw. Sach- und Umweltschäden führen kann, wenn sie nicht gemieden wird.



Information

... hebt nützliche Tipps und Empfehlungen sowie Informationen für einen effizienten und störungsfreien Betrieb hervor.



GEFAHR!

... kennzeichnet Gefährdungen durch elektrischen Strom. Bei Nichtbeachtung der Sicherheitshinweise besteht die Gefahr schwerer oder tödlicher Verletzungen.



WARNUNG!

... weist auf eine möglicherweise gefährliche Situation hin, die durch heiße Oberflächen oder Flüssigkeiten zu Verbrennungen führen kann, wenn sie nicht gemieden wird.

Abkürzungen

- 2-Leiter Der Leitungswiderstand geht als Fehler in die Messung ein.
3-Leiter Ab einer Kabellänge von 30 m können Messabweichungen auftreten.
4-Leiter Der Leitungswiderstand kann vernachlässigt werden.

2. Sicherheit



WARNUNG!

Vor Montage, Inbetriebnahme und Betrieb sicherstellen, dass das richtige Widerstandsthermometer hinsichtlich Messbereich, Ausführung, spezifischen Messbedingungen und geeignetem messstoffberührtem Werkstoff (Korrosion) ausgewählt wurde.

Bei Nichtbeachten können schwere Körperverletzungen und/oder Sachschäden auftreten.



Weitere wichtige Sicherheitshinweise befinden sich in den einzelnen Kapiteln dieser Betriebsanleitung.

2.1 Bestimmungsgemäße Verwendung

Das Widerstandsthermometer Typ TR30 wird als universelles Thermometer zum Messen von Temperaturen von $-50 \dots +150 \text{ °C}$ (ohne Halsrohr) und $-50 \dots +250 \text{ °C}$ (mit Halsrohr) in flüssigen und gasförmigen Medien verwendet. Es ist einsetzbar für Drücke bis 40 bar (Sonderbauformen bis 400 bar, abhängig von Einbaulänge und Durchmesser).

Das Gerät ist ausschließlich für den hier beschriebenen bestimmungsgemäßen Verwendungszweck konzipiert und konstruiert und darf nur dementsprechend verwendet werden.

Die technischen Spezifikationen in dieser Betriebsanleitung sind einzuhalten. Eine unsachgemäße Handhabung oder ein Betreiben des Gerätes außerhalb der technischen Spezifikationen macht die sofortige Stilllegung und Überprüfung durch einen autorisierten WIKA-Servicemitarbeiter erforderlich.

Wird das Gerät von einer kalten in eine warme Umgebung transportiert, so kann durch Kondensatbildung eine Störung der Gerätefunktion eintreten. Vor einer erneuten Inbetriebnahme die Angleichung der Gerätetemperatur an die Raumtemperatur abwarten.

Ansprüche jeglicher Art aufgrund von nicht bestimmungsgemäßer Verwendung sind ausgeschlossen.

2.2 Personalqualifikation



WARNUNG!

Verletzungsgefahr bei unzureichender Qualifikation!

Unsachgemäßer Umgang kann zu erheblichen Personen- und Sachschäden führen.

- Die in dieser Betriebsanleitung beschriebenen Tätigkeiten nur durch Fachpersonal nachfolgend beschriebener Qualifikation durchführen lassen.
- Unqualifiziertes Personal von den Gefahrenbereichen fernhalten.

DE

Fachpersonal

Das Fachpersonal ist aufgrund seiner fachlichen Ausbildung, seiner Kenntnisse der Mess- und Regelungstechnik und seiner Erfahrungen sowie Kenntnis der landesspezifischen Vorschriften, geltenden Normen und Richtlinien in der Lage, die beschriebenen Arbeiten auszuführen und mögliche Gefahren selbstständig zu erkennen.

Spezielle Einsatzbedingungen verlangen weiteres entsprechendes Wissen, z. B. über aggressive Medien.

2.3 Besondere Gefahren



WARNUNG!

Bei gefährlichen Messstoffen wie z. B. Sauerstoff, Acetylen, brennbaren oder giftigen Stoffen, sowie bei Kälteanlagen, Kompressoren etc. müssen über die gesamten allgemeinen Regeln hinaus die einschlägigen Vorschriften beachtet werden.



WARNUNG!

Schutz vor elektrostatischer Entladung (ESD) erforderlich!
Die ordnungsgemäße Verwendung geerdeter Arbeitsflächen und persönlicher Armbänder ist bei Arbeiten mit offenen Schaltkreisen (Leiterplatten) erforderlich, um die Beschädigung empfindlicher elektronischer Bauteile durch elektrostatische Entladung zu vermeiden.

2. Sicherheit



Für ein sicheres Arbeiten am Gerät muss der Betreiber sicherstellen,

- dass eine entsprechende Erste-Hilfe-Ausrüstung vorhanden ist und bei Bedarf jederzeit Hilfe zur Stelle ist.
- dass das Bedienpersonal regelmäßig in allen zutreffenden Fragen von Arbeitssicherheit, Erste-Hilfe und Umweltschutz unterwiesen wird, sowie die Betriebsanleitung und insbesondere die darin enthaltenen Sicherheitshinweise kennt.

DE



GEFAHR!

Lebensgefahr durch elektrischen Strom

Bei Berührung mit spannungsführenden Teilen besteht unmittelbare Lebensgefahr.

- Einbau und Montage des Gerätes dürfen nur durch Fachpersonal erfolgen.
- Bei Betrieb mit einem defekten Netzgerät (z. B. Kurzschluss von Netzspannung zur Ausgangsspannung) können am Gerät lebensgefährliche Spannungen auftreten!



WARNUNG!

Messstoffreste in ausgebauten Geräten können zur Gefährdung von Personen, Umwelt und Einrichtung führen. Ausreichende Vorsichtsmaßnahmen ergreifen.

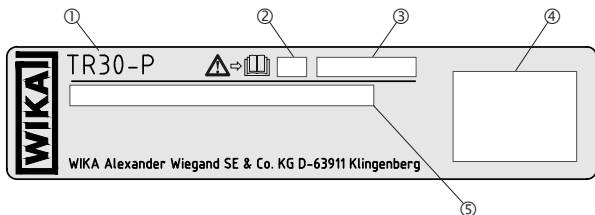
Dieses Gerät nicht in Sicherheits- oder in Not-Aus-Einrichtungen benutzen. Fehlerhafte Anwendungen des Gerätes können zu Verletzungen führen.

Am Gerät können im Fehlerfall aggressive Medien mit extremer Temperatur und unter hohem Druck oder Vakuum anliegen.

2. Sicherheit

2.4 Beschilderung, Sicherheitskennzeichnungen

Typenschild (Beispiel)



DE

- ① Typ
- ② Herstellungsjahr
- ③ Seriennummer
- ④ Elektrischer Anschluss
- ⑤ Angaben zur Ausführung (Messelement, Ausgangssignal, Messbereich...)
 - Thermometer mit Messumformer und Ausgangssignal 4 ... 20 mA
 - Thermometer mit direktem Sensorausgang mit Pt100



Vor Montage und Inbetriebnahme des Gerätes unbedingt die Betriebsanleitung lesen!

3. Technische Daten

3. Technische Daten

■ Ausgangssignal Pt100, Typ TR30-P

Messelement und Messeinsatz

Das Pt100-Messelement befindet sich in der Fühlerspitze des Thermometers.

DE

Ausgangssignal Pt100, Typ TR30-P

Temperaturbereich	
■ Klasse A	Ohne Halsrohr -30 ... +150 °C (-22 ... +302 °F) Mit Halsrohr -30 ... +250 °C (-22 ... +482 °F)
■ Klasse B	Ohne Halsrohr -50 ... +150 °C (-58 ... +302 °F) Mit Halsrohr -50 ... +250 °C (-58 ... +482 °F)
Messelement	Pt100 (Messstrom: 0,1 ... 1,0 mA)
Schaltungsart	■ 2-Leiter ■ 3-Leiter ■ 4-Leiter
Grenزابweichung des Messelements nach IEC 60751	■ Klasse B ■ Klasse A
Elektrischer Anschluss	■ M12 x 1-Rundstecker (4-polig) ■ DIN-Winkelstecker Form A

Detaillierte Angaben zu Pt100-Sensoren siehe Technische Information IN 00.17 unter www.wika.de.

■ Ausgangssignal 4 ... 20 mA, Typ TR30-W

Messelement und Messeinsatz

Das Pt100-Messelement befindet sich in der Fühlerspitze des Thermometers. Der Transmitter 4 ... 20 mA ist im Rohrkörper des Thermometers eingebaut und vergossen.

Ausgangssignal 4 ... 20 mA, Typ TR30-W

Temperaturbereich ¹⁾	
■ Klasse A	Ohne Halsrohr -30 ... +150 °C (-22 ... +302 °F) Mit Halsrohr -30 ... +250 °C (-22 ... +482 °F)
■ Klasse B	Ohne Halsrohr -50 ... +150 °C (-58 ... +302 °F) Mit Halsrohr -50 ... +250 °C (-58 ... +482 °F)
Messelement	Pt100 (Messstrom: 0,5 mA)
Grenزابweichung des Messelements nach IEC 60751	■ Klasse B ■ Klasse A
Messspanne	Minimal 20 K, maximal 300 K

3. Technische Daten

DE

Ausgangssignal 4 ... 20 mA, Typ TR30-W

Grundkonfiguration	Messbereich 0 ... 150 °C, andere Messbereiche sind einstellbar
Analogausgang	4 ... 20 mA, 2-Leiter
Messabweichung nach IEC 60770, 23 °C ±5 K	1 % (Transmitter) ²⁾
Linearisierung	Temperaturlinear nach DIN EN 60751
Linearitätsfehler	±0,1 % ³⁾
Einschaltverzögerung, elektrisch	< 10 ms
Stromwerte für Fehlersignalisierung	Konfigurierbar nach NAMUR NE43 zustuernd ≤ 3,6 mA aufsteuernd ≥ 21,0 mA
Fühlerkurzschluss	Nicht konfigurierbar, nach NAMUR NE43 zustuernd ≤ 3,6 mA
Bürde R_A	$R_A \leq (U_B - 9V) / 0,023 \text{ A}$ mit R _A in Ω und U _B in V
Bürdeneinfluss	±0,05 % / 100 Ω
Hilfsenergie U_B	DC 10 ... 35 V
Max. zulässige Restwelligkeit	10 % bei 24 V / maximal 300 Ω Bürde
Hilfsenergieeingang	Geschützt gegen Verpolung
Hilfsenergieeinfluss	±0,025 % / V
Elektromagnetische Verträglichkeit (EMV)	EN 61326 Emission (Gruppe 1, Klasse B) und Störfestigkeit (industrieller Bereich) ⁴⁾ , sowie nach NAMUR NE21
Temperatureinheiten	Konfigurierbar °C, °F, K
Info-Daten	TAG-Nr., Descriptor und Message im Transmitter speicherbar
Konfigurations- und Kalibrierungsdaten	Dauerhaft gespeichert in EEPROM
Elektrischer Anschluss	<ul style="list-style-type: none"> ■ M12 x 1-Rundstecker (4-polig) ■ DIN-Winkelstecker Form A

Angaben in % beziehen sich auf die Messspanne

Bei der Ermittlung der Gesamtmessabweichung sind sowohl die Sensor- als auch die Transmitter-Messabweichung zu berücksichtigen.

1) Der Temperatur-Transmitter ist dabei vor Temperaturen über 85 °C (185 °F) zu schützen.

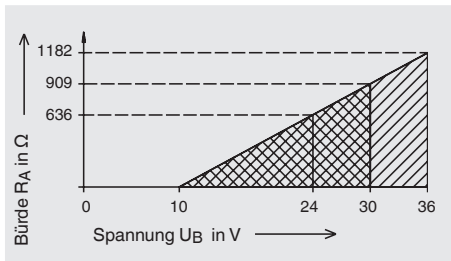
2) Für Messspannen kleiner 50 K zusätzlich 0,1 K

3) ±0,2 % bei Messbereichsanfang kleiner 0 °C

4) Widerstandsthermometer mit geschirmter Leitung betreiben und den Schirm auf mindestens einer Leitungsseite erden, wenn die Leitungen länger als 30 m sind oder das Gebäude verlassen.

3. Technische Daten

Bürdendiagramm



Die zulässige Bürde hängt ab von der Spannung der Schleifenversorgung.

Zur Einstellung der Messbereiche siehe Kapitel 7 „Konfiguration Typ TR30-W“.

Weitere technische Daten siehe WIKA-Datenblatt TE 60.30.

DE

4. Aufbau und Funktion

4. Aufbau und Funktion

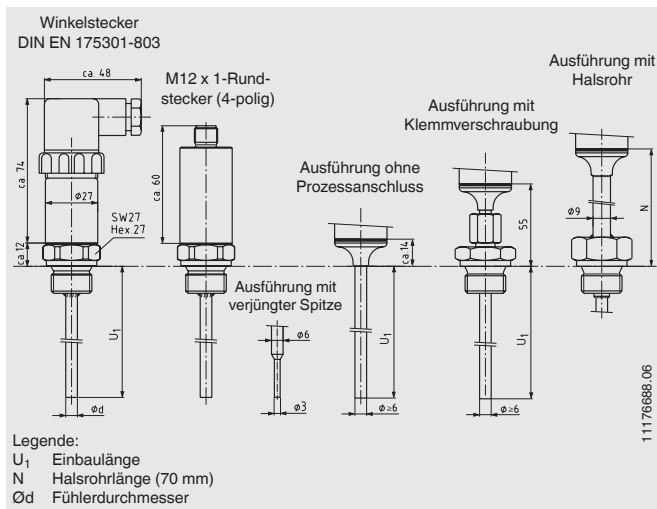
4.1 Beschreibung

Das Widerstandsthermometer Typ TR30 besteht aus einem Schutzrohr mit festem Prozessanschluss und wird direkt in den Prozess eingeschraubt. Es ist stoß- und vibrationsfest aufgebaut und alle elektrischen Bauteile sind gegen Spritzwasser geschützt. Die Vibrationsfestigkeit der Standardversion entspricht der DIN EN 60751 (bis 3 g), Sonderausführungen sind bis 10 g belastbar. Die Stoßfestigkeit entspricht für alle Versionen den Anforderungen der DIN EN 60751. Die elektrische Kontaktierung erfolgt mittels DIN-Winkelstecker, Form A oder M12 x 1-Rundstecker.

DE

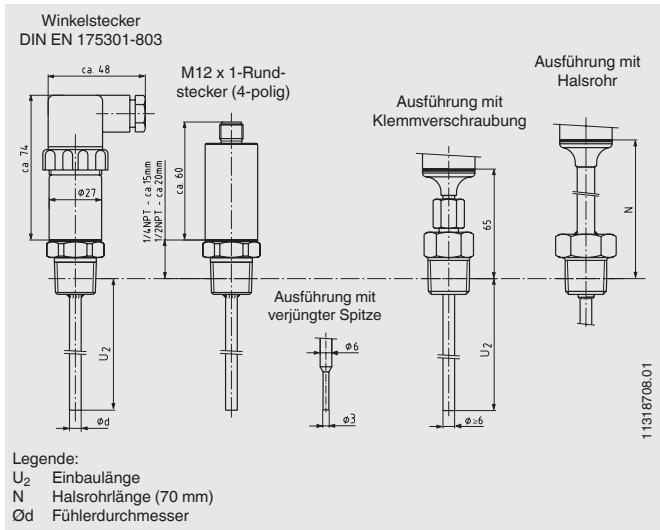
4.2 Abmessungen in mm

- Prozessanschluss mit zylindrischem Gewinde (bzw. ohne Prozessanschluss)



4. Aufbau und Funktion

■ Prozessanschluss mit kegeligem Gewinde



4.3 Lieferumfang

Lieferumfang mit dem Lieferschein abgleichen.

5. Transport, Verpackung und Lagerung

5.1 Transport

Gerät auf eventuell vorhandene Transportschäden untersuchen.
Offensichtliche Schäden unverzüglich mitteilen.

5.2 Verpackung

Verpackung erst unmittelbar vor der Montage entfernen.
Die Verpackung aufbewahren, denn diese bietet bei einem Transport einen optimalen Schutz (z. B. wechselnder Einbauort, Reparatursendung).

5.3 Lagerung

Zulässige Bedingungen am Lagerort:

- Lagertemperatur: 0 ... 70 °C
- Feuchtigkeit: 35 ... 85 % relative Feuchte (keine Betauung)

Folgende Einflüsse vermeiden:

- Direktes Sonnenlicht oder Nähe zu heißen Gegenständen
- Mechanische Vibration, mechanischer Schock (hartes Aufstellen)
- Ruß, Dampf, Staub und korrosive Gase
- Explosionsgefährdete Umgebung, entzündliche Atmosphären

Das Gerät in der Originalverpackung an einem Ort, der die oben gelisteten Bedingungen erfüllt, lagern. Wenn die Originalverpackung nicht vorhanden ist, dann das Gerät wie folgt verpacken und lagern:

1. Das Gerät in eine antistatische Plastikfolie einhüllen.
2. Das Gerät mit dem Dämmmaterial in der Verpackung platzieren.
3. Bei längerer Einlagerung (mehr als 30 Tage) einen Beutel mit Trocknungsmittel der Verpackung beilegen.



WARNUNG!

Vor der Einlagerung des Gerätes (nach Betrieb) alle anhaftenden Messstoffreste entfernen. Dies ist besonders wichtig, wenn der Messstoff gesundheitsgefährdend ist, wie z. B. ätzend, giftig, krebserregend, radioaktiv, usw.

6. Inbetriebnahme, Betrieb

6. Inbetriebnahme, Betrieb



WARNUNG!

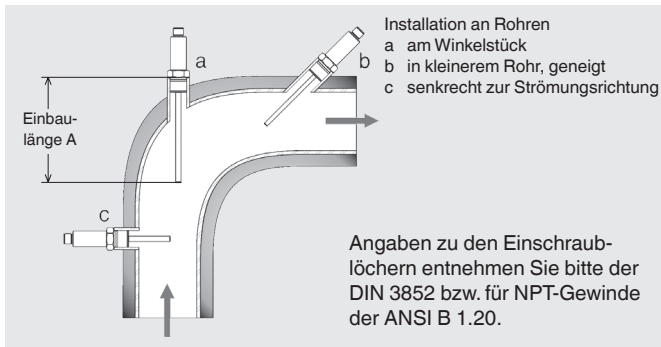
Mechanische Belastungen der elektrischen Anschlüsse und der Gehäuse vermeiden. Die maximalen Temperaturen von $-50 \dots +150 \text{ }^\circ\text{C}$ (ohne Halsrohr) und $-50 \dots +250 \text{ }^\circ\text{C}$ (mit Halsrohr) nicht überschreiten. Alle Anschlüsse nur im drucklosen und abgekühlten Zustand öffnen.

DE

6.1 Montage

Diese Widerstandsthermometer sind vorgesehen zum direkten Einschrauben in den Prozess. Einbaulänge sowie Strömungsgeschwindigkeit und Viskosität des Prozessmediums können sich reduzierend auf die max. Schutzrohrbelastung auswirken.

Einbaubeispiele

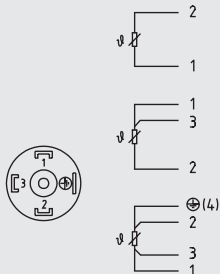


6. Inbetriebnahme, Betrieb

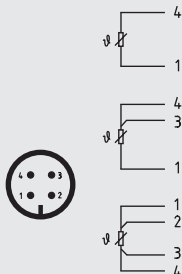
6.2 Elektrischer Anschluss

6.2.1 Ausgangssignal Pt100, Typ TR30-P

Winkelstecker DIN EN 175301-803, Form A



M12 x 1-Rundstecker (4-polig)



DE

6.2.2 Ausgangssignal 4 ... 20 mA, Typ TR30-W



GEFAHR!

Lebensgefahr durch elektrischen Strom

Bei Berührung mit spannungsführenden Teilen besteht unmittelbare Lebensgefahr.

- Einbau und Montage des Gerätes dürfen nur durch Fachpersonal erfolgen.
- Bei Betrieb mit einem defekten Netzgerät (z. B. Kurzschluss von Netzspannung zur Ausgangsspannung) können am Gerät lebensgefährliche Spannungen auftreten!
- Montagen im spannungslosen Zustand durchführen.

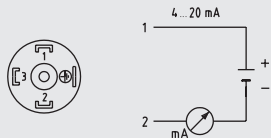
Dies ist ein Betriebsmittel der Schutzklasse 3 zum Anschluss an Kleinspannungen, die von der Netzspannung oder Spannung größer AC 50 V bzw. DC 120 V getrennt sind. Zu bevorzugen ist ein Anschluss an SELV- oder PELV-Stromkreise; alternativ ist eine Schutzmaßnahme aus HD 60346-4-41 (DIN VDE 0100-410) zu empfehlen.

6. Inbetriebnahme, Betrieb

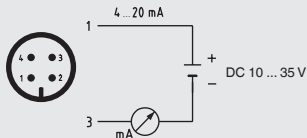
Alternativ für Nordamerika

Der Anschluss kann auch an „Class 2 Circuits“ oder „Class 2 Power Units“ gemäß CEC (Canadian Electrical Code) oder NEC (National Electrical Code) erfolgen.

Winkelstecker DIN EN 175301-803, Form A



M12 x 1-Rundstecker (4-polig)



Ausführung mit Winkelstecker (DIN EN 175301-803)

Bei Litzenadern empfehlen wir das Verwenden von gecrimpt Aderendhülsen.

Zum Sicherstellen der Schutzart IP65:

- Immer die Silikon-Dichtung verwenden
- Verriegelungsschraube anziehen
- Kabeleinführung sorgfältig ausführen



7. Konfiguration Typ TR30-W

7. Konfiguration Typ TR30-W

Das Konfigurieren erfolgt über die USB-Schnittstelle eines PC's via Programmierereinheit Typ PU-548 (Zubehör, Bestell-Nr. 14231581). Mit passendem Adapterkabel wird die Verbindung zum Thermometer hergestellt.

- Zubehör, M12 x 1-Rundstecker: Bestell-Nr. 14003193
- Zubehör, DIN-Winkelstecker: Bestell-Nr. 14005324

Konfigurierbar sind Messbereich und Signalisierung sowie weitere Parameter, siehe Konfigurationssoftware.

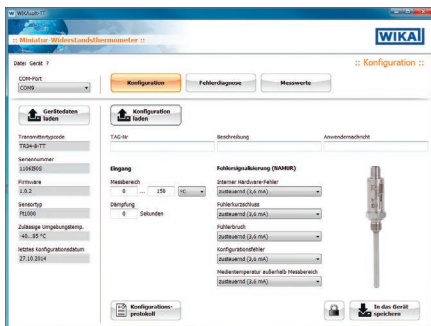
DE



- Einfache Bedienung
- LED-Status-Anzeigen
- Kompakte Bauform
- Keine zusätzliche Spannungsversorgung weder für die Programmierereinheit noch für den Transmitter notwendig
- Messung des Schleifenstroms von Widerstandsthermometern möglich

(ersetzt Programmierereinheit Typ PU-448)

Screenshot aus der Konfigurationssoftware



11377551_09 03/2018 EN/DE

7. Konfiguration Typ TR30-W

DE

Der Messbereichsanfang ist konfigurierbar zwischen $-50 \dots +150 \text{ }^\circ\text{C}$. Das mögliche Messbereichsende ist abhängig vom jeweiligen Messbereichsanfang. Mögliche Kombinationen von Messbereichsanfang / -ende siehe Diagramm. Zur Übersicht wird diese Abhängigkeit in diesem Diagramm beispielhaft in $50 \text{ }^\circ\text{C}$ -Schritten dargestellt. Die Konfigurationssoftware überprüft den gewünschten Messbereich und akzeptiert nur zulässige Werte. Zwischenwerte sind konfigurierbar, die kleinste Schrittweite ist $0,1 \text{ }^\circ\text{C}$. Ausgeliefert werden die Thermometer mit einer Grundkonfiguration ($0 \dots 150 \text{ }^\circ\text{C}$, zusteuernd) oder konfiguriert nach Kundenvorgabe im Rahmen der Konfigurationsmöglichkeiten.

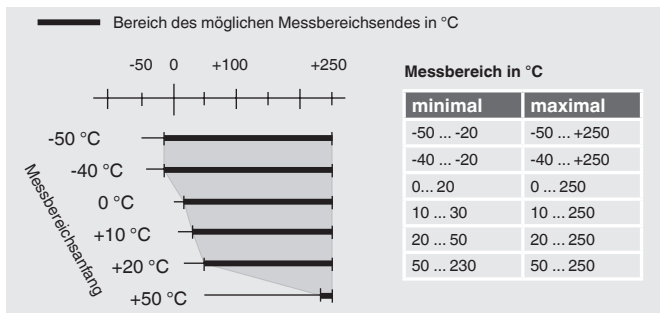
Bei Konfiguration nach Kundenvorgabe wird auf dem Typenschild der Messbereich im Klartext angegeben. Beschrieben wird das Konfigurieren und die Möglichkeiten der Parameterauswahl in der menügeführten Konfigurationssoftware. Änderungen der Konfiguration sollten mit einem wasserfesten Faserschreiber auf dem Typenschild notiert werden.

Mögliche Kombinationen von Messbereichsanfang/-ende

Das Messbereichsende ist abhängig vom jeweiligen Messbereichsanfang. Zur Übersicht wird diese Abhängigkeit in diesen Diagrammen beispielhaft in $50 \text{ }^\circ\text{C}$ -Schritten dargestellt. Die Konfigurationssoftware überprüft den gewünschten Messbereich und akzeptiert nur zulässige Werte. Zwischenwerte sind konfigurierbar, die kleinste Schrittweite ist $0,1 \text{ }^\circ\text{C}$.

7. Konfiguration Typ TR30-W

Diagramm für Messbereiche des Typ TR30-W



DE

Bitte beachten:

Der Messbereich des Thermometers wird begrenzt durch den Anwendungsbereich des Messelementes, nicht durch den Einstellbereich des Transmitters.

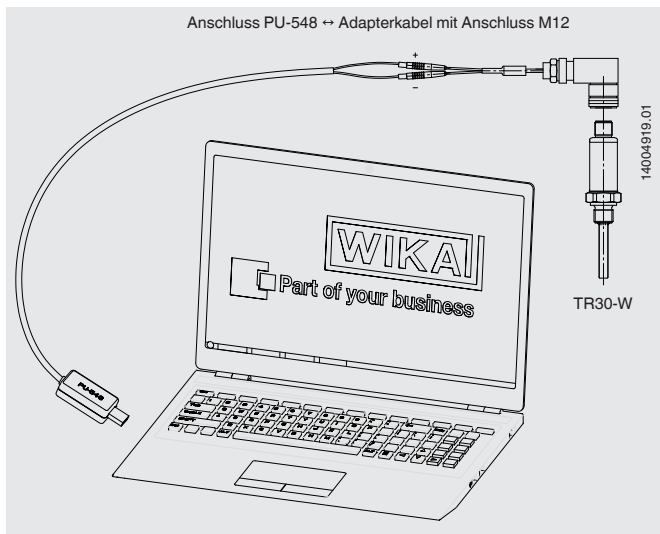
ohne Halsrohr -50 ... +150 °C (-58 ... +302 °F)

mit Halsrohr -50 ... +250 °C (-58 ... +482 °F)

8. Programmierereinheit PU-548 anschließen

8. Programmierereinheit PU-548 anschließen

Adapterkabel für Anschluss M12

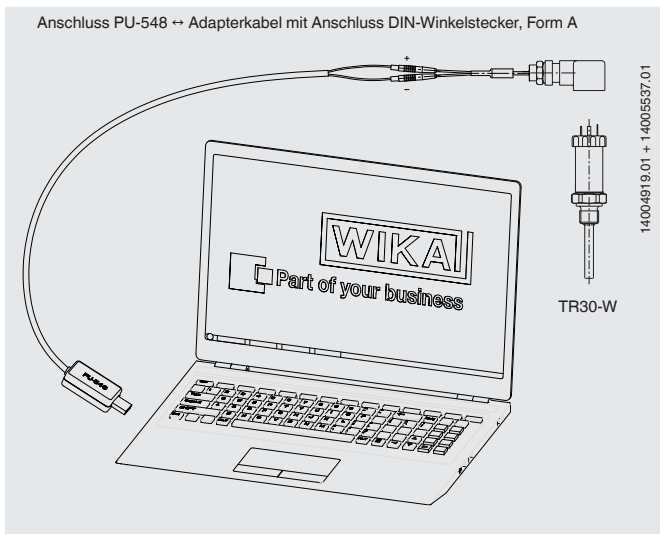


(Vorgängermodell, Programmierereinheit Typ PU-448, ebenfalls kompatibel)

8. Programmiereinheit PU-548 anschließen

Adapterkabel für Anschluss DIN Winkelstecker, Form A

Anschluss PU-548 → Adapterkabel mit Anschluss DIN-Winkelstecker, Form A



(Vorgängermodell, Programmierereinheit Typ PU-448, ebenfalls kompatibel)

9. Wartung und Reinigung

9.1 Wartung

Die hier beschriebenen Widerstandsthermometer sind wartungsfrei und enthalten keinerlei Bauteile, welche repariert oder ausgetauscht werden könnten.

DE

9.2 Reinigung



VORSICHT!

- Vor der Reinigung des Gerätes elektrische Anschlüsse trennen.
- Das Gerät mit einem feuchten Tuch reinigen.
- Elektrische Anschlüsse nicht mit Feuchtigkeit in Berührung bringen.
- Ausgebautes Gerät vor der Rücksendung spülen bzw. säubern, um Personen und Umwelt vor Gefährdung durch anhaftende Messstoffreste zu schützen.
- Messstoffreste in ausgebauten Geräten können zur Gefährdung von Personen, Umwelt und Einrichtung führen. Ausreichende Vorsichtsmaßnahmen ergreifen.



Hinweise zur Rücksendung des Gerätes siehe Kapitel 10.2 „Rücksendung“.

10. Demontage, Rücksendung und Entsorgung



WARNUNG!

Messstoffreste in ausgebauten Geräten können zur Gefährdung von Personen, Umwelt und Einrichtung führen. Ausreichende Vorsichtsmaßnahmen ergreifen.

DE

10.1 Demontage



WARNUNG!

Verbrennungsgefahr!

Vor dem Ausbau das Gerät ausreichend abkühlen lassen!

Beim Ausbau besteht Gefahr durch austretende, gefährlich heiße Messstoffe.

Widerstandsthermometer nur im drucklosen Zustand demontieren!

10.2 Rücksendung



WARNUNG!

Beim Versand des Gerätes unbedingt beachten:

Alle an WIKA gelieferten Geräte müssen frei von Gefahrstoffen (Säuren, Laugen, Lösungen, etc.) sein.

Zur Rücksendung des Gerätes die Originalverpackung oder eine geeignete Transportverpackung verwenden.

Um Schäden zu vermeiden:

1. Das Gerät in eine antistatische Plastikfolie einhüllen.
2. Das Gerät mit dem Dämmmaterial in der Verpackung platzieren.
Zu allen Seiten der Transportverpackung gleichmäßig dämmen.
3. Wenn möglich einen Beutel mit Trocknungsmittel der Verpackung beifügen.
4. Sendung als Transport eines hochempfindlichen Messgerätes kennzeichnen.

10. Demontage, Rücksendung und Entsorgung



Hinweise zur Rücksendung befinden sich in der Rubrik „Service“ auf unserer lokalen Internetseite.

10.3 Entsorgung

Durch falsche Entsorgung können Gefahren für die Umwelt entstehen.

Gerätekomponenten und Verpackungsmaterialien entsprechend den landesspezifischen Abfallbehandlungs- und Entsorgungsvorschriften umweltgerecht entsorgen.

DE

WIKA subsidiaries worldwide can be found online at www.wika.com.
WIKA-Niederlassungen weltweit finden Sie online unter www.wika.de.



WIKAI Alexander Wiegand SE & Co. KG

Alexander-Wiegand-Strasse 30

63911 Klingenberg • Germany

Tel. +49 9372 132-0

Fax +49 9372 132-406

info@wika.de

www.wika.de