

Field case for temperature transmitter, model TIF11

EN

Feldgehäuse für Temperaturtransmitter, Typ TIF11

DE

Boîtier de terrain pour transmetteur de température,
type TIF11

FR

Caja de campo para transmisores de temperatura,
modelo TIF11

ES



Field case, round, with screw-on lid

Field case, rectangular

EN	Operating instructions model TIF11	Page	3 - 16
DE	Betriebsanleitung Typ TIF11	Seite	17 - 30
FR	Mode d'emploi type TIF11	Page	31 - 44
ES	Manual de instrucciones modelo TIF11	Página	45 - 58

© 07/2020 WIKA Alexander Wiegand SE & Co. KG
All rights reserved. / Alle Rechte vorbehalten.
WIKA® is a registered trademark in various countries.
WIKA® ist eine geschützte Marke in verschiedenen Ländern.

Prior to starting any work, read the operating instructions!
Keep for later use!

Vor Beginn aller Arbeiten Betriebsanleitung lesen!
Zum späteren Gebrauch aufbewahren!

Lire le mode d'emploi avant de commencer toute opération !
A conserver pour une utilisation ultérieure !

¡Leer el manual de instrucciones antes de comenzar cualquier trabajo!
¡Guardar el manual para una eventual consulta!

Contents

1. General information	4
2. Design and function	5
3. Safety	6
4. Transport, packaging and storage	10
5. Commissioning, operation	11
6. Maintenance and cleaning	13
7. Dismounting, return and disposal	14
8. Specifications	15

1. General information / 2. Design and function

1. General information

EN

- The field case described in the operating instructions has been designed and manufactured using state-of-the-art technology. All components are subject to stringent quality and environmental criteria during production. Our management systems are certified to ISO 9001 and ISO 14001.
- These operating instructions contain important information on handling the instrument. Working safely requires that all safety instructions and work instructions are observed.
- Observe the relevant local accident prevention regulations and general safety regulations for the instrument's range of use.
- The operating instructions are part of the product and must be kept in the immediate vicinity of the instrument and readily accessible to skilled personnel at any time.
- Skilled personnel must have carefully read and understood the operating instructions prior to beginning any work.
- The general terms and conditions contained in the sales documentation shall apply.
- Subject to technical modifications.
- Further information:
 - Internet address: www.wika.de / www.wika.com
 - Relevant data sheet: TE 62.02
 - Application consultant: Tel.: +49 9372 132-0
Fax: +49 9372 132-406
info@wika.de

2. Design and function

2.1 Description

The field transmitter model TIF11-S consists of a case without explosion protection. Within the case can be installed suitable temperature transmitters with $U_{\max} = \text{DC } 60 \text{ V}$ (e.g. SELV supply voltage).

2. Design and function

With the help of this instrument in connection with resistance thermometers or thermocouples, temperatures in processes are measured. This instrument is suitable, depending on its version, for low, medium and high process demands.

EN

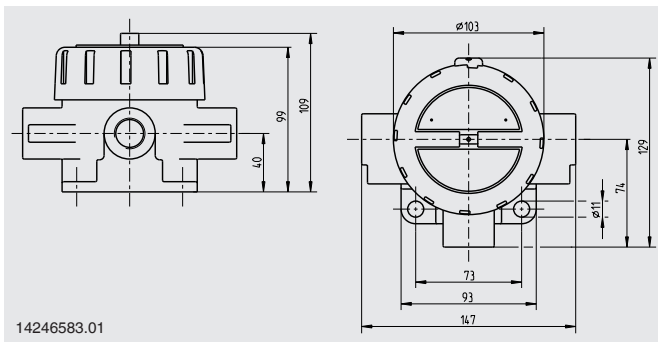
The field temperature transmitter is used for converting a resistance value or a voltage value into a proportional current signal (4 ... 20 mA). Thus the sensors are permanently monitored for their fault-free operation.

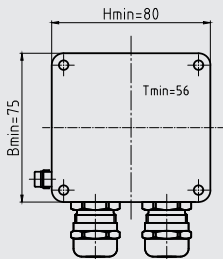
Operation in safety-related applications



The model TIF11 field temperature transmitter with built-in model T32 transmitter is suitable for use in safety-related applications.

2.2 Dimensions in mm (aluminium and stainless steel)





14246598.01

Figure shows the minimum dimensions.
Other case dimensions on request

2.3 Scope of delivery

Cross-check scope of delivery with delivery note.

3. Safety

3.1 Explanation of symbols



WARNING!

... indicates a potentially dangerous situation that can result in serious injury or death, if not avoided.



CAUTION!

... indicates a potentially dangerous situation that can result in light injuries or damage to property or the environment, if not avoided.



WARNING!

... indicates a potentially dangerous situation that can result in burns, caused by hot surfaces or liquids, if not avoided.



Information

... points out useful tips, recommendations and information for efficient and trouble-free operation.

3.2 Intended use

The field case is used for the installation of temperature transmitters for resistance thermometers or thermocouples.

The responsibility for the selection of the temperature transmitter, the resistance thermometer or the thermocouple, and also for the material selection for the field case, in order to ensure a safe function in the plant or machinery lies with the operator.

The instrument has been designed and built solely for the intended use described here, and may only be used accordingly.

The technical specifications contained in these operating instructions must be observed. During normal operation, it is assumed that a WIKA transmitter has been installed in the field case.

The manufacturer shall not be liable for claims of any type based on operation contrary to the intended use.

3.3 Improper use

EN



WARNING!

Injuries through improper use

Improper use of the instrument can lead to hazardous situations and injuries.

- ▶ Refrain from unauthorised modifications to the instrument.
- ▶ Do not use the instrument with abrasive or viscous media.

Any use beyond or different to the intended use is considered as improper use.

Do not use this instrument in safety or emergency stop devices.

3.4 Responsibility of the operator

The instrument is used in the industrial sector. The operator is therefore responsible for legal obligations regarding safety at work.

The safety instructions within these operating instructions, as well as the safety, accident prevention and environmental protection regulations for the application area must be maintained.

The operator is obliged to maintain the product label in a legible condition.

3.5 Personnel qualification



WARNING!

Risk of injury should qualification be insufficient!

Improper handling can result in considerable injury and damage to property.

- ▶ The activities described in these operating instructions may only be carried out by skilled personnel who have the qualifications described below.
- ▶ Keep unqualified personnel away from hazardous areas.

3. Safety

EN

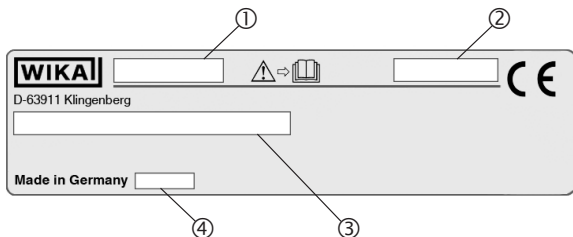
Skilled personnel

Skilled personnel are understood to be personnel who, based on their technical training, knowledge of measurement and control technology and on their experience and knowledge of country-specific regulations, current standards and directives, are capable of carrying out the work described and independently recognising potential hazards.

Special operating conditions require further appropriate knowledge, e.g. of aggressive media.

3.6 Labelling / Safety marks

Product label



- ① Model
- ② Serial number
- ③ Information on transmitter (model, output signal, measuring range...)
- ④ Year of manufacture



Before mounting and commissioning the instrument, ensure you read the operating instructions!

4. Transport, packaging and storage

4. Transport, packaging and storage

EN

4.1 Transport

Check the instrument for any damage that may have been caused by transport.

Obvious damage must be reported immediately.

If the instrument is transported from a cold into a warm environment, the formation of condensation may result in instrument malfunction. Before putting it back into operation, wait for the instrument temperature and the room temperature to equalise.

4.2 Packaging and storage

Do not remove packaging until just before mounting.

Keep the packaging as it will provide optimum protection during transport (e.g. change in installation site, sending for repair).

Permissible conditions at the place of storage:

- Storage temperature: see operating instructions of the corresponding transmitter
- Humidity: 35 ... 85 % relative humidity (without condensation)

Avoid exposure to the following factors:

- Direct sunlight or proximity to hot objects
- Mechanical vibration, mechanical shock (putting it down hard)
- Soot, vapour, dust and corrosive gases

Store the instrument in its original packaging in a location that fulfils the conditions listed above. If the original packaging is not available, pack and store the instrument as described below:

1. Place the instrument, along with the shock-absorbent material, in the packaging.
2. If stored for a prolonged period of time (more than 30 days), place a bag containing a desiccant inside the packaging.

5. Commissioning, operation



CAUTION!

Electrostatic discharge

When working during running process operations, avoid any electrostatic discharge as this can lead to a temporary error in the measured value.

- ▶ Take measures to prevent electrostatic discharge on the connection terminals.

When the instrument is installed, the temperature must not drop below the allowed operating temperature (environment, medium) or exceed it, even when taking convection and heat radiation into account!

5.1 Installation

The holes for fixing are dependent on the version.

There is a mounting set for 1 ... 2" pipes for the "round" version of the field case (can be ordered as an option).

5.2 Cable glands

With this instrument, the cable gland must be optimally sealed to ensure that the required ingress protection is reached.

Requirements for meeting ingress protection

- Only use cable glands within their indicated clamping area (cable diameter suitable for the cable gland).
- Do not use the lower clamping area with very soft cable types.
- Only use round cables (if necessary, slightly oval in cross-section).
- Do not twist the cable.
- Repeated opening/closing is possible; however only if necessary, as it might have a detrimental effect on the ingress protection
- For cable with a pronounced cold-flow behaviour the gland must be fully tightened.

5. Commissioning, operation

Tighten the threads by hand when carrying out the final assembly on the plant. This will correspond to the delivery status of the premounted components. The final tightening torque should be applied using a spanner (half rotation).

EN

5.3 Electrical connection

The installation conditions and electrical connection values can be taken from the corresponding transmitter's operating instructions and must be observed.

- Damage to cables, wires and connection points must be avoided.
- Fine-stranded leads with bare ends must be finished with end splices (cable preparation).
- For the head-mounted transmitters installed, the data sheets must also be considered.

6. Maintenance and cleaning

6. Maintenance and cleaning



For contact details see chapter 1 “General information” or the back page of the operating instructions.

EN

6.1 Maintenance

The field case is maintenance-free.

Repairs must only be carried out by the manufacturer.

6.2 Cleaning

Carry out the cleaning process as described below:

1. Prior to cleaning the instrument, properly disconnect from the process and switch off.

2. Clean the instrument with a moist cloth.

This applies in particular to thermometers with a case made of plastic and cable probes with plastic-insulated connection lead, to ensure that any risk of electrostatic charge is avoided.

Electrical connections must not come into contact with moisture!



CAUTION!

Damage to the instrument

Improper cleaning may lead to damage to the instrument!

- ▶ Do not use any aggressive cleaning agents.
- ▶ Do not use any hard or pointed objects for cleaning.

3. Wash or clean the dismantled instrument, in order to protect persons and the environment from exposure to residual media.

7. Dismounting, return and disposal

7. Dismounting, return and disposal



WARNING!

Physical injuries and damage to property and the environment through residual media

Residual media in the dismantled instrument can result in a risk to persons, the environment and equipment.

- ▶ Wash or clean the dismantled instrument, in order to protect persons and the environment from exposure to residual media.

7.1 Dismounting

Connections must only be opened once the instrument has been depressurised and has cooled down.

7.2 Return

Strictly observe the following when shipping the instrument:

All instruments delivered to WIKA must be free from any kind of hazardous substances (acids, bases, solutions, etc.) and must therefore be cleaned before being returned.

When returning the instrument, use the original packaging or a suitable transport packaging.

To avoid damage:

1. Wrap the instrument in an antistatic plastic film.
2. Place the instrument, along with the shock-absorbent material, in the packaging.
Place shock-absorbent material evenly on all sides of the transport packaging.
3. If possible, place a bag containing a desiccant inside the packaging.
4. Label the shipment as carriage of a highly sensitive measuring instrument.



Information on returns can be found under the heading "Service" on our local website.

7. Dismounting ... / 8. Specifications

7.3 Disposal

Incorrect disposal can put the environment at risk.

Dispose of instrument components and packaging materials in an environmentally compatible way and in accordance with the country-specific waste disposal regulations.

EN



Do not dispose of with household waste. Ensure a proper disposal in accordance with national regulations.

8. Specifications

The specifications of the used temperature transmitter apply. These can be taken from the corresponding data sheet/operating instructions.

Specifications for EMC directive apply only to built-in WIKA transmitters. When using transmitters of other manufacturers, other standards may apply. The instructions and EU declarations of conformity supplied with these transmitters must then be observed.

When using other transmitters, their EU declarations of conformity are valid (EMC and RoHS). For delivery in CIS states, due to the metrology certificates, a WIKA transmitter must be built in!

The group and class of the noise emission and immunity, electrical specifications and ambient temperature range can be found in the respective data sheets and instruction manuals.

8. Specifications

“Round” field case

Material	■ Aluminium
	■ Stainless steel
Colour	
Aluminium case	Night blue, RAL 5022
Stainless steel case	Silver
Cable bushings	■ 3 x M20 x 1.5 ■ 3 x ½ NPT
Permissible ambient/ storage temperature	Depending on the built-in transmitter model. For temperature values please see corresponding transmitter documentation.
Vibration resistance	3 g per EN 60068-2-6
Shock resistance	30 g per EN 60068-2-27
Ingress protection	IP66
Weight	
Aluminium case	Approx. 1.5 kg
Stainless steel case	Approx. 3.7 kg
Dimensions	See drawing below 2.2 “Dimensions in mm (aluminium and stainless steel)”

1) Special version on request (only available without explosion protection or with specific approvals)

The specifications of the “rectangular” field case depend on the selected version.

For further specifications see WIKA data sheet TE 62.02 and the order documentation.

Inhalt

1. Allgemeines	18
2. Aufbau und Funktion	19
3. Sicherheit	20
4. Transport, Verpackung und Lagerung	24
5. Inbetriebnahme, Betrieb	25
6. Wartung und Reinigung	27
7. Demontage, Rücksendung und Entsorgung	28
8. Technische Daten	29

1. Allgemeines

- Das in der Betriebsanleitung beschriebenen Feldgehäuse für Temperaturtransmitter wird nach dem aktuellen Stand der Technik konstruiert und gefertigt. Alle Komponenten unterliegen während der Fertigung strengen Qualitäts- und Umweltkriterien. Unsere Managementsysteme sind nach ISO 9001 und ISO 14001 zertifiziert.
- Diese Betriebsanleitung gibt wichtige Hinweise zum Umgang mit dem Gerät. Voraussetzung für sicheres Arbeiten ist die Einhaltung aller angegebenen Sicherheitshinweise und Handlungsanweisungen.
- Die für den Einsatzbereich des Gerätes geltenden örtlichen Unfallverhütungsvorschriften und allgemeinen Sicherheitsbestimmungen einhalten.
- Die Betriebsanleitung ist Produktbestandteil und muss in unmittelbarer Nähe des Gerätes für das Fachpersonal jederzeit zugänglich aufbewahrt werden.
- Das Fachpersonal muss die Betriebsanleitung vor Beginn aller Arbeiten sorgfältig durchgelesen und verstanden haben.
- Es gelten die allgemeinen Geschäftsbedingungen in den Verkaufsunterlagen.
- Technische Änderungen vorbehalten.
- Weitere Informationen:
 - Internet-Adresse: www.wika.de / www.wika.com
 - zugehöriges Datenblatt: TE 62.02
 - Anwendungsberater: Tel.: +49 9372 132-0
Fax: +49 9372 132-406
info@wika.de

2. Aufbau und Funktion

2.1 Beschreibung

Der Feldtransmitter Typ TIF11-S besteht aus einem Gehäuse ohne Explosionsschutz. Innerhalb des Gehäuses können geeignete Temperaturtransmitter mit $U_{\max} = DC 60 V$ installiert sein (z. B. SELV-Hilfsenergie).

2. Aufbau und Funktion

Mit Hilfe dieses Gerätes in Verbindung mit Widerstandsthermometern oder Thermoelementen werden Temperaturen in Prozessen erfasst. Dieses Gerät eignet sich je nach Ausführung für niedrige, mittlere und hohe Prozessanforderungen.

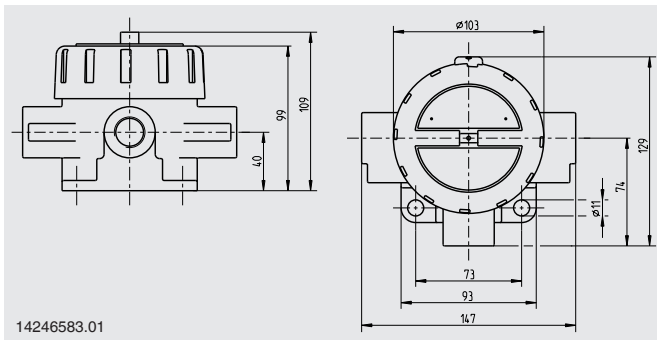
Der Feld-Temperaturtransmitter dient zur Umwandlung eines Widerstandswertes oder eines Spannungswertes in ein proportionales Stromsignal (4 ... 20 mA). Dabei werden die Sensoren permanent auf ihre einwandfreie Funktion überwacht.

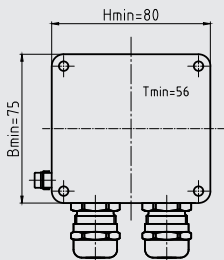
Einsatz in sicherheitsgerichteten Anwendungen



Feld-Temperaturtransmitter Typ TIF11 mit eingebautem Transmitter Typ T32 ist für den Einsatz in sicherheitsgerichteten Anwendungen geeignet.

2.2 Abmessungen in mm (Aluminium und CrNi-Stahl)





14246598.01

Abbildung stellt die Minimal-Dimensionen dar.
Andere Gehäuseabmessungen auf Anfrage

DE

2.3 Lieferumfang

Lieferumfang mit dem Lieferschein abgleichen.

3. Sicherheit

3.1 Symbolerklärung



WARNUNG!

... weist auf eine möglicherweise gefährliche Situation hin, die zum Tod oder zu schweren Verletzungen führen kann, wenn sie nicht gemieden wird.



VORSICHT!

... weist auf eine möglicherweise gefährliche Situation hin, die zu geringfügigen oder leichten Verletzungen bzw. Sach- und Umweltschäden führen kann, wenn sie nicht gemieden wird.



WARNUNG!

... weist auf eine möglicherweise gefährliche Situation hin, die durch heiße Oberflächen oder Flüssigkeiten zu Verbrennungen führen kann, wenn sie nicht gemieden wird.



Information

... hebt nützliche Tipps und Empfehlungen sowie Informationen für einen effizienten und störungsfreien Betrieb hervor.

3.2 Bestimmungsgemäße Verwendung

Das Feldgehäuse dient zum Einbau von Temperaturtransmittern für Widerstandsthermometer oder Thermoelemente.

Die Verantwortung für die Auswahl des Temperaturtransmitters, des Widerstandsthermometers oder Thermoelementes sowie für die Werkstoffauswahl des Feldgehäuses zur Gewährleistung einer sicheren Funktion in der Anlage bzw. Maschine obliegt dem Betreiber.

Das Gerät ist ausschließlich für den hier beschriebenen bestimmungsgemäßen Verwendungszweck konzipiert und konstruiert und darf nur dementsprechend verwendet werden.

Die technischen Spezifikationen in dieser Betriebsanleitung sind einzuhalten. Beim bestimmungsgemäßen Betrieb wird davon ausgegangen, dass in das Feldgehäuse ein WIKA-Transmitter eingebaut ist.

Ansprüche jeglicher Art aufgrund von nicht bestimmungsgemäßer Verwendung sind ausgeschlossen.

3.3 Fehlgebrauch



WARNUNG!

Verletzungen durch Fehlgebrauch

Fehlgebrauch des Gerätes kann zu gefährlichen Situationen und Verletzungen führen.

- ▶ Eigenmächtige Umbauten am Gerät unterlassen.
- ▶ Gerät nicht für abrasive und viskose Messstoffe verwenden.

Jede über die bestimmungsgemäße Verwendung hinausgehende oder andersartige Benutzung gilt als Fehlgebrauch.

Dieses Gerät nicht in Sicherheits- oder in Not-Aus-Einrichtungen benutzen.

3.4 Verantwortung des Betreibers

Das Gerät wird im gewerblichen Bereich eingesetzt. Der Betreiber unterliegt daher den gesetzlichen Pflichten zur Arbeitssicherheit.

Die Sicherheitshinweise dieser Betriebsanleitung, sowie die für den Einsatzbereich des Gerätes gültigen Sicherheits-, Unfallverhütungs- und Umweltschutzvorschriften einhalten.

Der Betreiber ist verpflichtet das Typenschild lesbar zu halten.

3.5 Personalqualifikation



WARNUNG!

Verletzungsgefahr bei unzureichender Qualifikation!

Unsachgemäßer Umgang kann zu erheblichen Personen- und Sachschäden führen.

- ▶ Die in dieser Betriebsanleitung beschriebenen Tätigkeiten nur durch Fachpersonal nachfolgend beschriebener Qualifikation durchführen lassen.
- ▶ Unqualifiziertes Personal von den Gefahrenbereichen fernhalten.

3. Sicherheit

Fachpersonal

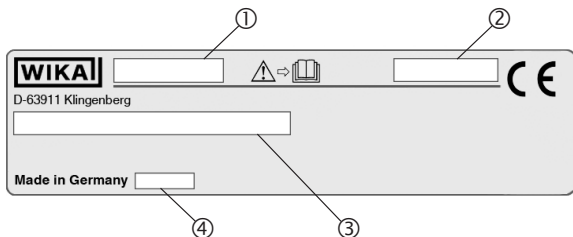
Das Fachpersonal ist aufgrund seiner fachlichen Ausbildung, seiner Kenntnisse der Mess- und Regelungstechnik und seiner Erfahrungen sowie Kenntnis der landesspezifischen Vorschriften, geltenden Normen und Richtlinien in der Lage, die beschriebenen Arbeiten auszuführen und mögliche Gefahren selbstständig zu erkennen.

DE

Spezielle Einsatzbedingungen verlangen weiteres entsprechendes Wissen, z. B. über aggressive Medien.

3.6 Beschilderung / Sicherheitskennzeichnungen

Typenschild



- ① Typ
- ② Seriennummer
- ③ Angaben zum Transmitter (Typ, Ausgangssignal, Messbereich...)
- ④ Herstellungsjahr



Vor Montage und Inbetriebnahme des Gerätes unbedingt die Betriebsanleitung lesen!

4. Transport, Verpackung und Lagerung

4.1 Transport

Gerät auf eventuell vorhandene Transportschäden untersuchen.
Offensichtliche Schäden unverzüglich mitteilen.

DE

Wird das Gerät von einer kalten in eine warme Umgebung transportiert, so kann durch Kondensatbildung eine Störung der Gerätefunktion eintreten. Vor einer erneuten Inbetriebnahme die Angleichung der Gerätetemperatur an die Raumtemperatur abwarten.

4.2 Verpackung und Lagerung

Verpackung erst unmittelbar vor der Montage entfernen.

Die Verpackung aufbewahren, denn diese bietet bei einem Transport einen optimalen Schutz (z. B. wechselnder Einbauort, Reparatursendung).

Zulässige Bedingungen am Lagerort:

- Lagertemperatur: siehe Betriebsanleitung des entspr. Transmitters
- Feuchtigkeit: 35 ... 85 % relative Feuchte (ohne Betauung)

Folgende Einflüsse vermeiden:

- Direktes Sonnenlicht oder Nähe zu heißen Gegenständen
- Mechanische Vibration, mechanischer Schock (hartes Aufstellen)
- Ruß, Dampf, Staub und korrosive Gase

Das Gerät in der Originalverpackung an einem Ort, der die oben gelisteten Bedingungen erfüllt, lagern. Wenn die Originalverpackung nicht vorhanden ist, dann das Gerät wie folgt verpacken und lagern:

1. Das Gerät mit dem Dämmmaterial in der Verpackung platzieren.
2. Bei längerer Einlagerung (mehr als 30 Tage) einen Beutel mit Trocknungsmittel der Verpackung beilegen.

5. Inbetriebnahme, Betrieb



VORSICHT!

Elektrostatische Entladung

Bei Arbeiten während eines laufenden Prozessbetriebes eine elektrostatische Entladung vermeiden, da diese zu vorübergehenden Verfälschung des Messwertes führen können.

- ▶ Maßnahmen zur Vermeidung elektrostatischer Entladung auf die Anschlussklemmen treffen.

Bei der Montage des Gerätes die zulässige Betriebstemperatur (Umgebung, Messstoff), auch unter Berücksichtigung von Konvektion und Wärmestrahlung nicht unter- oder überschreiten!

5.1 Montage

Die Löcher zur Befestigung sind von der Ausführung abhängig.

Für die Feldgehäuse Ausführung „rund“ gibt es ein Montageset für 1 ... 2"-Rohre (optional bestellbar).

5.2 Kabelverschraubungen

Bei diesem Gerät muss die Abdichtung der Kabelverschraubung optimal erfolgen, damit die erforderliche Schutzart erreicht wird.

Voraussetzungen zur Erreichung der Schutzart

- Kabelverschraubung nur im angegebenen Klemmbereich (Kabeldurchmesser passend zur Kabelverschraubung) verwenden.
- Bei Verwendung sehr weicher Kabeltypen nicht den unteren Klemmbereich verwenden.
- Nur Rundkabel verwenden (ggf. leicht ovaler Querschnitt).
- Kabel nicht verdrillen.
- Mehrmaliges Öffnen/Schließen möglich; hat ggf. jedoch negative Auswirkung auf die Schutzart
- Bei Kabel mit ausgeprägtem Kaltfließverhalten Verschraubung nachziehen.

5. Inbetriebnahme, Betrieb

Bei der Endmontage in die Anlage sind die Gewinde zunächst handfest anzuziehen. Das entspricht auch dem Auslieferungszustand bei vormontierten Zusammenbauten. Die Endfestigkeit muss mit einer halben Schraubenschlüssel-Umdrehung hergestellt werden.

DE

5.3 Elektrischer Anschluss

Die Installationsbedingungen und elektrischen Anschlussgrößen den entsprechenden Transmitter-Betriebsanleitungen entnehmen und einhalten.

- Beschädigung an Kabeln und Leitungen, sowie Verbindungsstellen vermeiden.
- Feindrähtige Leiterenden mit Aderendhülsen versehen (Kabelkonfektionierung).
- Für die verbauten Kopftransmitter müssen auch die Datenblätter berücksichtigt werden.

6. Wartung und Reinigung



Kontakt Daten siehe Kapitel 1 „Allgemeines“ oder Rückseite der Betriebsanleitung.

6.1 Wartung

Das Feldgehäuse ist wartungsfrei.

Reparaturen sind ausschließlich vom Hersteller durchzuführen.

6.2 Reinigung

Reinigungsvorgang wie folgt beschrieben durchführen:

1. Vor der Reinigung das Gerät ordnungsgemäß vom Prozess trennen und ausschalten.
2. Das Gerät mit einem feuchten Tuch reinigen.
Dies gilt insbesondere für Thermometer mit Gehäusen aus Kunststoff und Kabelfühler mit kunststoffisolierten Anschlussleitung um die Gefahr von elektrostatischen Aufladungen zu vermeiden.
Elektrische Anschlüsse nicht mit Feuchtigkeit in Berührung bringen!



VORSICHT!

Beschädigung des Gerätes

Eine unsachgemäße Reinigung führt zur Beschädigung des Gerätes!

- ▶ Keine aggressiven Reinigungsmittel verwenden.
- ▶ Keine harten und spitzen Gegenstände zur Reinigung verwenden.

3. Ausgebautes Gerät spülen bzw. säubern, um Personen und Umwelt vor Gefährdung durch anhaftende Messstoffreste zu schützen.

7. Demontage, Rücksendung und Entsorgung



WARNUNG!
Körperverletzungen, Sach- und Umweltschäden durch Messstoffreste

Messstoffreste im ausgebauten Gerät können zur Gefährdung von Personen, Umwelt und Einrichtung führen.

- ▶ Ausgebautes Gerät spülen bzw. säubern, um Personen und Umwelt vor Gefährdung durch anhaftende Messstoffreste zu schützen.

7.1 Demontage

Alle Anschlüsse nur im drucklosen und abgekühlten Zustand öffnen.

7.2 Rücksendung

Beim Versand des Gerätes unbedingt beachten:

Alle an WIKA gelieferten Geräte müssen frei von Gefahrstoffen (Säuren, Laugen, Lösungen, etc.) sein und sind daher vor der Rücksendung zu reinigen.

Zur Rücksendung des Gerätes die Originalverpackung oder eine geeignete Transportverpackung verwenden.

Um Schäden zu vermeiden:

1. Das Gerät in eine antistatische Plastikfolie einhüllen.
2. Das Gerät mit dem Dämmmaterial in der Verpackung platzieren.
Zu allen Seiten der Transportverpackung gleichmäßig dämmen.
3. Wenn möglich einen Beutel mit Trocknungsmittel der Verpackung beifügen.
4. Sendung als Transport eines hochempfindlichen Messgerätes kennzeichnen.



Hinweise zur Rücksendung befinden sich in der Rubrik „Service“ auf unserer lokalen Internetseite.

7.3 Entsorgung

Durch falsche Entsorgung können Gefahren für die Umwelt entstehen. Gerätekomponenten und Verpackungsmaterialien entsprechend den landesspezifischen Abfallbehandlungs- und Entsorgungsvorschriften umweltgerecht entsorgen.



Nicht mit dem Hausmüll entsorgen. Für eine geordnete Entsorgung gemäß nationaler Vorgaben sorgen.

DE

8. Technische Daten

Es gelten die technischen Daten des eingesetzten Temperaturtransmitters. Diese dem jeweiligen Datenblatt/Betriebsanleitung entnehmen.

Angaben zur EMV-Richtlinie gelten nur mit eingebautem WIKA-Transmitter. Werden Transmitter von anderen Herstellern verwendet, können diese anderen Normen entsprechen. Es sind dann die mitgelieferten Anleitungen und EU-Konformitätserklärungen dieser Transmitter zu beachten.

Bei Verwendung von anderen Transmittern gelten deren EU-Konformitätserklärungen (EMV und RoHS). Für die Lieferung in CIS-Staaten muss aufgrund der Metrologie-Zertifikate ein WIKA-Transmitter eingebaut sein!

Gruppe und Klasse der Störabstrahlung und Störfestigkeit, elektrische Daten und Umgebungstemperaturbereich den jeweiligen Datenblättern oder Betriebsanleitungen entnehmen.

8. Technische Daten

Feldgehäuse „rund“

Material	■ Aluminium ■ CrNi-Stahl
Farbe	
Aluminiumgehäuse	Nachtblau, RAL 5022
CrNi-Stahl-Gehäuse	Silber
Kabeldurchführungen	■ 3 x M20 x 1,5 ■ 3 x ½ NPT
Zulässige Umgebungs-/ Lagertemperatur	Abhängig vom eingebauten Transmittertyp. Temperaturwerte bitte der entsprechenden Transmitter-Dokumentation entnehmen.
Vibrationsbelastbarkeit	3 g nach EN 60068-2-6
Schockbelastbarkeit	30 g nach EN 60068-2-27
Schutzart	IP66
Gewicht	
Aluminiumgehäuse	Ca. 1,5 kg
CrNi-Stahl-Gehäuse	Ca. 3,7 kg
Abmessungen	Siehe Zeichnung unter 2.2 „Abmessungen in mm (Aluminium und CrNi-Stahl)“

1) Sonderausführung auf Anfrage (nur ohne Explosionsschutz oder mit ausgewählten Zulassungen verfügbar)

Die technischen Daten des Feldgehäuses „rechteckig“ sind abhängig von der gewählten Ausführung.

Weitere technische Daten siehe WIKA-Datenblatt TE 62.02 und Bestellunterlagen.

Sommaire

1. Généralités	32
2. Conception et fonction	32
3. Sécurité	34
4. Transport, emballage et stockage	38
5. Mise en service, utilisation	39
6. Entretien et nettoyage	41
7. Démontage, retour et mise au rebut	42
8. Spécifications	43

1. Généralités

- Le boîtier de terrain décrit dans le mode d'emploi est conçu et fabriqué selon les dernières technologies en vigueur. Tous les composants sont soumis à des exigences environnementales et de qualité strictes durant la fabrication. Nos systèmes de gestion sont certifiés selon ISO 9001 et ISO 14001.
- Ce mode d'emploi donne des indications importantes concernant l'utilisation de l'instrument. Il est possible de travailler en toute sécurité avec ce produit en respectant toutes les consignes de sécurité et d'utilisation.
- Respecter les prescriptions locales de prévention contre les accidents et les prescriptions générales de sécurité en vigueur pour le domaine d'application de l'instrument.
- Le mode d'emploi fait partie de l'instrument et doit être conservé à proximité immédiate de l'instrument et accessible à tout moment pour le personnel qualifié.
- Le personnel qualifié doit, avant de commencer toute opération, avoir lu soigneusement et compris le mode d'emploi.
- Les conditions générales de vente mentionnées dans les documents de vente s'appliquent.
- Sous réserve de modifications techniques.
- Pour obtenir d'autres informations :
 - Consulter notre site Internet : www.wika.de / www.wika.com
 - Fiche technique correspondante : TE 62.02
 - Conseiller applications : Tel. : 0 820 95 10 10 (0,15 €/min)
Fax : 0 891 035 891 (0,35 €/min)
info@wika.fr

2. Conception et fonction

2.1 Description

Le transmetteur de terrain type TIF11-S est composé d'un boîtier sans protection contre les explosions. Dans le boîtier, il est possible d'installer des transmetteurs de température avec $U_{\max} = 60$ VDC (par exemple tension d'alimentation SELV).

2. Conception et fonction

A l'aide de cet instrument en connexion avec des sondes à résistance ou des thermocouples, il est possible de mesurer des température dans des process. Cet instrument convient, en fonction de la version, pour des exigences de process faibles, moyennes ou hautes.

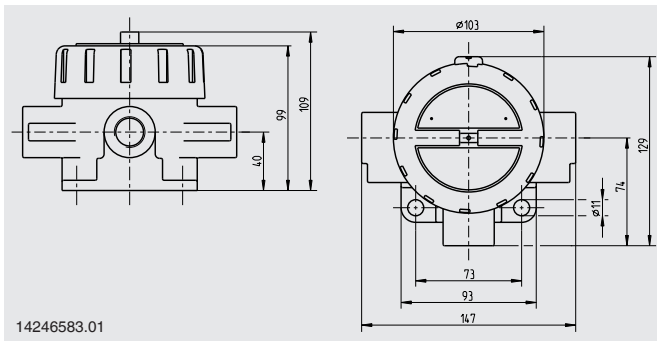
Le transmetteur de température de terrain sert à transformer une valeur de résistance ou de tension en un signal électrique proportionnel (4 ... 20 mA). Le fonctionnement correct des capteurs doit en conséquence être surveillé en permanence.

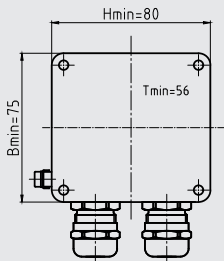
Utilisation dans les applications de sécurité



Le transmetteur de température de terrain type TIF11 avec transmetteur intégré type T32 convient pour une utilisation dans des applications de sécurité.

2.2 Dimensions en mm (aluminium et acier inox)





14246598.01

Le schéma indique les dimensions minimales.
Autres dimensions de boîtier sur demande

FR

2.3 Détail de la livraison

Comparer le détail de la livraison avec le bordereau de livraison.

3. Sécurité

3.1 Explication des symboles



AVERTISSEMENT !

... indique une situation présentant des risques susceptibles de provoquer la mort ou des blessures graves si elle n'est pas évitée.



ATTENTION !

... indique une situation potentiellement dangereuse et susceptible de provoquer de légères blessures ou des dommages matériels et pour l'environnement si elle n'est pas évitée.



AVERTISSEMENT !

... indique une situation présentant des risques susceptibles de provoquer des brûlures dues à des surfaces ou liquides chauds si elle n'est pas évitée.



Information

... met en exergue les conseils et recommandations utiles de même que les informations permettant d'assurer un fonctionnement efficace et normal.

3.2 Utilisation conforme à l'usage prévu

Le boîtier de terrain est utilisé pour l'installation de transmetteurs de température pour des sondes à résistance ou des thermocouples.

L'opérateur porte la responsabilité du choix du transmetteur de température, de la sonde à résistance ou du thermocouple, et aussi du choix du matériau pour le boîtier de terrain, dans le but de garantir un fonctionnement en toute sécurité sur l'installation ou la machine.

L'instrument est conçu et construit exclusivement pour une utilisation conforme à l'usage prévu décrit ici et ne doit être utilisé qu'en conséquence.

Les spécifications techniques mentionnées dans ce mode d'emploi doivent être respectées. Si le fonctionnement est normal, il est supposé qu'un transmetteur WIKA a été installé dans le boîtier de terrain.

Aucune réclamation ne peut être recevable en cas d'utilisation non conforme à l'usage prévu.

3.3 Utilisation inappropriée



AVERTISSEMENT !

Blessures à cause d'une utilisation inappropriée

Une utilisation inappropriée peut conduire à des situations dangereuses et à des blessures.

- ▶ S'abstenir de modifications non autorisées sur l'instrument
- ▶ Ne pas utiliser l'instrument avec un fluide abrasif ou visqueux.

Toute utilisation différente ou au-delà de l'utilisation prévue est considérée comme inappropriée.

Ne pas utiliser cet instrument dans des dispositifs de sécurité ou d'arrêt d'urgence.

3.4 Responsabilité de l'opérateur

L'instrument est prévu pour un usage dans le domaine industriel.

L'opérateur est de ce fait responsable des obligations légales en matière de sécurité du travail.

Les instructions de sécurité de ce mode d'emploi comme les réglementations liées à la sécurité, à la prévention des accidents et à la protection de l'environnement pour le domaine d'application doivent être respectées.

L'opérateur doit s'assurer que la plaque signalétique reste lisible.

3.5 Qualification du personnel



AVERTISSEMENT !

Danger de blessure en cas de qualification insuffisante !

Une utilisation non conforme peut entraîner d'importants dommages corporels et matériels.

- ▶ Les opérations décrites dans ce mode d'emploi ne doivent être effectuées que par un personnel ayant la qualification décrite ci-après.
- ▶ Tenir le personnel non qualifié à l'écart des zones dangereuses.

3. Sécurité

Personnel qualifié

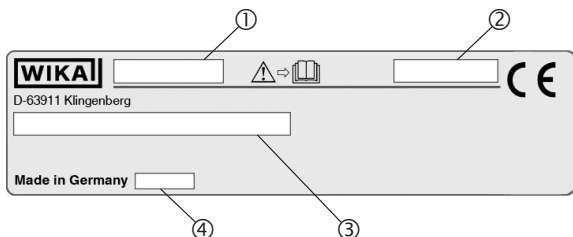
Le personnel qualifié est, en raison de sa formation spécialisée, de ses connaissances dans le domaine de la technique de mesure et de régulation et de ses expériences de même que de sa connaissance des prescriptions nationales, des normes et directives en vigueur, en mesure d'effectuer les travaux décrits et de reconnaître automatiquement les dangers potentiels.

Les conditions d'utilisation spéciales exigent également une connaissance adéquate, par ex. des liquides agressifs.

FR

3.6 Etiquetage / Marquages de sécurité

Plaque signalétique



- ① Type
- ② Numéro de série
- ③ Informations concernant le transmetteur (type, signal de sortie, étendue de mesure ...)
- ④ Année de fabrication



Lire impérativement le mode d'emploi avant l'installation et la mise en service de l'instrument !

4. Transport, emballage et stockage

4.1 Transport

Vérifier s'il existe des dégâts sur l'instrument liés au transport.
Communiquer immédiatement les dégâts constatés.

Si l'instrument est transporté d'un environnement froid dans un environnement chaud, la formation de condensation peut provoquer un dysfonctionnement fonctionnel de l'instrument. Il est nécessaire d'attendre que la température de l'instrument se soit adaptée à la température ambiante avant une nouvelle mise en service.

4.2 Emballage et stockage

N'enlever l'emballage qu'avant le montage.
Conserver l'emballage, celui-ci offre, lors d'un transport, une protection optimale (par ex. changement de lieu d'utilisation, renvoi pour réparation).

Conditions admissibles sur le lieu de stockage :

- Température de stockage : voir le mode d'emploi du transmetteur correspondant
- Humidité : 35 ... 85 % d'humidité relative (sans condensation)

Eviter les influences suivantes :

- Lumière solaire directe ou proximité d'objets chauds
- Vibrations mécaniques, chocs mécaniques (mouvements brusques en le posant)
- Suie, vapeur, poussière et gaz corrosifs

Conserver l'instrument dans l'emballage original dans un endroit qui satisfait aux conditions susmentionnées. Si l'emballage d'origine n'est pas disponible, emballer et stocker l'instrument comme suit :

1. Placer l'instrument avec le matériau isolant dans l'emballage.
2. En cas d'entreposage long (plus de 30 jours), mettre également un sachet absorbant d'humidité dans l'emballage.

5. Mise en service, utilisation



ATTENTION !

Décharges électrostatiques

Lors d'une intervention pendant des opérations de process en cours, éviter toute décharge électrostatique, car cela pourrait occasionner une erreur temporaire de la valeur de mesure.

- ▶ Il faut prendre des mesures permettant d'éviter une décharge électrostatique sur les bornes de raccordement.

FR

Lorsque l'instrument est installé, la température ne doit pas baisser en-dessous de la température de fonctionnement autorisée (environnement, fluide) ni la dépasser, même si l'on tient compte de la convection et de la radiation de chaleur !

5.1 Installation

Les orifices de fixation dépendent de la version.

Il existe un kit d'installation pour des tuyauteries de 1 à 2" pour la version "ronde" du boîtier de terrain (peut être commandé en option).

5.2 Passe-câbles

Avec cet instrument, le presse-étoupe doit être scellé de manière optimale pour assurer que l'indice de protection requis soit bien atteint.

Conditions requises pour satisfaire à l'indice de protection

- Utiliser les presse-étoupes uniquement dans leur zone de serrage indiquée (le diamètre de câble doit être adapté au presse-étoupe).
- En cas d'utilisation de câbles très mous, ne pas utiliser la zone de serrage inférieure.
- Utiliser seulement des câbles ronds (si nécessaire, ayant une section transversale légèrement ovale).
- Ne pas torsader le câble.
- Une ouverture/fermeture répétée est possible ; mais toutefois seulement si c'est nécessaire, car cela pourrait se produire au détriment de l'indice de protection
- Pour un câble avec un comportement de flux froid prononcé, le presse-étoupe doit être bien serré.

5. Mise en service, utilisation

Lors du montage final dans l'installation, les filetages doivent être serrés manuellement. Cela correspond à l'état de livraison pour les composants prémontés. Le serrage final doit être effectué à l'aide d'une clé à vis (demi-tour).

5.3 Raccordement électrique

Les conditions d'installation et les valeurs de raccordement électrique sont à relever dans le mode d'emploi du transmetteur correspondant et doivent être respectées.

- Il faut éviter des dommages aux câbles, fils et points de connexion.
- Les liaisons souples dont l'extrémité est dénudée doivent être terminées par des embouts (confection de câbles).
- Pour les transmetteurs montés en tête installés, il faut aussi se reporter aux fiches techniques.

6. Entretien et nettoyage



Pour le détail des contacts, merci de consulter le chapitre 1 “Généralités” ou le dos du mode d'emploi.

6.1 Entretien

Ce boîtier de terrain ne nécessite pas d'entretien.

Les réparations ne doivent être effectuées que par le fabricant.

6.2 Nettoyage

Effectuer la procédure de nettoyage comme décrit ci-dessous :

1. Avant de nettoyer l'instrument, il faut le débrancher correctement du process et l'éteindre.

2. Nettoyer l'instrument avec un chiffon humide.

Ceci s'applique en particulier aux thermomètres avec un boîtier en plastique et des capteurs à câble avec câble de raccordement isolés par du plastique pour éviter tout risque de charge électrostatique. Éviter tout contact des raccordements électriques avec l'humidité !



ATTENTION !

Dommages à l'instrument

Un nettoyage inapproprié peut endommager l'instrument !

- ▶ Ne pas utiliser de détergents agressifs.
- ▶ Ne pas utiliser d'objets pointus ou durs pour le nettoyage.

3. Laver ou nettoyer l'instrument démonté afin de protéger les personnes et l'environnement contre le danger lié aux résidus de fluides.

7. Démontage, retour et mise au rebut

7. Démontage, retour et mise au rebut



AVERTISSEMENT !

Blessures physiques et dommages aux équipements et à l'environnement liés aux résidus de fluides

Les restes de fluides se trouvant dans les instruments démontés peuvent mettre en danger les personnes, l'environnement ainsi que l'installation.

- ▶ Laver et décontaminer l'instrument démonté afin de protéger les personnes et l'environnement contre le danger lié aux résidus de fluides.

7.1 Démontage

L'accès à tous les raccords ne doit être effectué que lorsque l'instrument n'est plus sous pression et qu'il est suffisamment refroidi.

7.2 Retour

En cas d'envoi de l'instrument, il faut respecter impérativement ceci :

Tous les instruments livrés à WIKA doivent être exempts de substances dangereuses (acides, bases, solutions, etc.) et doivent donc être nettoyés avant d'être retournés.

Pour retourner l'instrument, utiliser l'emballage original ou un emballage adapté pour le transport.

Pour éviter des dommages :

1. Emballer l'instrument dans une feuille de plastique antistatique.
2. Placer l'instrument avec le matériau isolant dans l'emballage.
Isoler de manière uniforme tous les côtés de l'emballage de transport.
3. Mettre si possible un sachet absorbant d'humidité dans l'emballage.
4. Indiquer lors de l'envoi qu'il s'agit d'un instrument de mesure très sensible à transporter.



Des informations relatives à la procédure de retour sont disponibles sur notre site Internet à la rubrique "Services".

7. Démontage, ... / 8. Spécifications

7.3 Mise au rebut

Une mise au rebut inadéquate peut entraîner des dangers pour l'environnement.

Éliminer les composants des instruments et les matériaux d'emballage conformément aux prescriptions nationales pour le traitement et l'élimination des déchets et aux lois de protection de l'environnement en vigueur.



Ne pas mettre au rebut avec les ordures ménagères.
Assurer une mise au rebut correcte en conformité avec les réglementations nationales.

FR

8. Spécifications

Les spécifications du transmetteur de température utilisé s'appliquent. Elles se trouvent dans la fiche technique ou le mode d'emploi correspondants.

Spécification pour directive CME applicable uniquement avec les transmetteurs de fabrication WIKA. Pour une utilisation avec des transmetteurs d'autres fabricants ; d'autres certifications doivent être appliquées. Les instructions et les déclarations de conformités fournies avec ces transmetteurs doivent être appliquées.

En cas d'utilisation d'autres transmetteurs, leurs déclarations de conformité CE sont valides (EMC et RoHS). Pour une livraison dans des états de la CEI, en raison des certificats de métrologie, il faut intégrer un transmetteur WIKA !

Le groupe et la classe de la protection contre le bruit et les interférences, les spécifications électriques et la plage de température ambiante se trouvent dans les fiches techniques et les modes d'emploi spécifiques.

8. Spécifications

Boîtier de terrain "rond"

Matériau	<ul style="list-style-type: none">■ Aluminium■ Acier inox
Couleur	
Boîtier en aluminium	Bleu nuit, RAL 5022
Boîtier acier inox	Argent
Presse-étoupes	<ul style="list-style-type: none">■ 3 x M20 x 1,5■ 3 x ½ NPT
Température ambiante ou de stockage admissible	Elle est en fonction du type de transmetteur incorporé. Pour les valeurs de température, prière de consulter la documentation du transmetteur correspondant.
Résistance aux vibrations	3 g selon EN 60068-2-6
Résistance aux chocs	30 g selon EN 60068-2-27
Indice de protection	IP66
Poids	
Boîtier en aluminium	ENV 1,5 kg
Boîtier acier inox	ENV 3,7 kg
Dimensions	Voir le dessin ci-dessous 2.2 "Dimensions en mm (aluminium et acier inox)"

1) Version spéciale sur demande (disponible seulement avec la protection contre les explosions ou avec les homologations spécifiques)

Les spécifications du boîtier de terrain "rectangulaire" dépendent de la version choisie.

Pour de plus amples spécifications, voir la fiche technique WIKA TE 62.02 et la documentation de commande.

Contenido

1. Información general	46
2. Diseño y función	46
3. Seguridad	48
4. Transporte, embalaje y almacenamiento	52
5. Puesta en servicio, funcionamiento	53
6. Mantenimiento y limpieza	55
7. Desmontaje, devolución y eliminación de residuos	56
8. Datos técnicos	57

1. Información general

- La caja de campo descrita en el manual de instrucciones está diseñada y fabricada según el estado actual de la técnica. Todos los componentes están sometidos durante su fabricación a estrictos criterios de calidad y medioambientales. Nuestros sistemas de gestión están certificados según ISO 9001 e ISO 14001.
- Este manual de instrucciones proporciona indicaciones importantes acerca del manejo del instrumento. Para un trabajo seguro, es imprescindible cumplir con todas las instrucciones de seguridad y manejo indicadas.
- Cumplir siempre con las normativas sobre la prevención de accidentes y las normas de seguridad en vigor en el lugar de utilización del instrumento.
- El manual de instrucciones es una parte integrante del instrumento y debe guardarse en la proximidad del mismo para que el personal especializado pueda consultarlo en cualquier momento.
- El personal especializado debe haber leído y entendido el manual de instrucciones antes de comenzar cualquier trabajo.
- Se aplican las condiciones generales de venta incluidas en la documentación de venta.
- Modificaciones técnicas reservadas.
- Para obtener más información consultar:
 - Página web: www.wika.es / www.wika.com
 - Hoja técnica correspondiente: TE 62.02
 - Servicio técnico: Tel.: +34 933 938 630
Fax: +34 933 938 666
info@wika.es

2. Diseño y función

2.1 Descripción

El transmisor de campo modelo TIF11-S cuenta con una caja sin protección contra explosiones. En la caja pueden instalarse transmisores de temperatura adecuados con $U_{\max} = DC 60 V$ (p. ej. alimentación auxiliar SELV).

2. Diseño y función

Con la ayuda de este instrumento en combinación con termorresistencias o termopares, se miden las temperaturas en los procesos. Dependiendo de la versión, este instrumento es adecuado para demandas de proceso bajas, medias y altas.

El transmisor de temperatura de campo se utiliza para convertir un valor de resistencia o de tensión en una señal de corriente proporcional (4 ... 20 mA). El perfecto funcionamiento de los sensores es controlado en forma permanente.

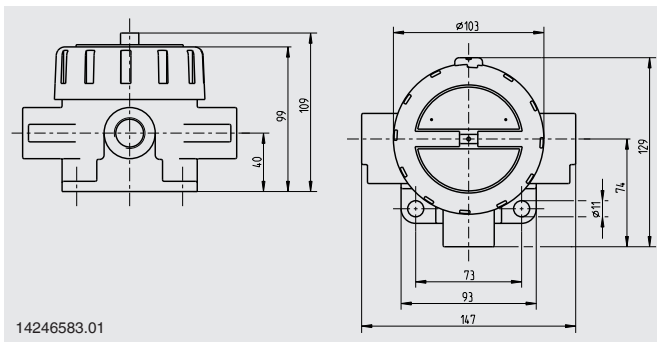
Para más información sobre la utilización en zonas potencialmente explosivas, véase la información adicional para el tipo de protección correspondiente (documento independiente).

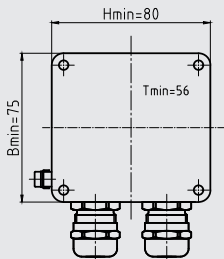
Utilización en aplicaciones de seguridad



El transmisor de temperatura de campo modelo TIF11 con transmisor integrado modelo T32, es adecuado para aplicaciones relacionadas con la seguridad.

2.2 Dimensiones en mm (aluminio y acero inoxidable)





14246598.01

La figura presenta las dimensiones mínimas.
Otras dimensiones de la caja a petición

ES

2.3 Alcance del suministro

Comparar mediante el albarán si se han entregado todas las piezas.

3. Seguridad

3.1 Explicación de símbolos



¡ADVERTENCIA!

... señala una situación probablemente peligrosa que puede causar la muerte o lesiones graves si no se evita.



¡CUIDADO!

... señala una situación probablemente peligrosa que puede causar lesiones leves o medianas o daños materiales y del medio ambiente si no se evita.



¡ADVERTENCIA!

... señala una situación de peligro que puede provocar quemaduras causadas por superficies o líquidos calientes si no se evita.



Información

... destaca consejos y recomendaciones útiles así como informaciones para una utilización eficiente y libre de errores.

3.2 Uso conforme a lo previsto

La caja de campo se utiliza para la instalación de transmisores de temperatura para termorresistencias o termopares.

Con el fin de garantizar un funcionamiento seguro en la planta o de la maquinaria, el usuario es responsable de seleccionar el transmisor de temperatura, la termorresistencia o el termopar y también, el material para la caja de campo.

El instrumento ha sido diseñado y construido únicamente para la finalidad aquí descrita y debe utilizarse en conformidad a la misma.

Seguir los datos técnicos de este manual de instrucciones. Durante un funcionamiento normal, se considera que en la caja de campos se ha instalado un transmisor WIKA.

No se admite ninguna reclamación debido a un manejo no adecuado.

3. Seguridad

3.3 Uso incorrecto



¡ADVERTENCIA!

Lesiones por uso incorrecto

El uso incorrecto del dispositivo puede causar lesiones graves o la muerte.

- ▶ Abstenerse de realizar modificaciones no autorizadas del dispositivo.
- ▶ No utilizar el instrumento para medios abrasivos ni viscosos.

ES

Cualquier uso que no sea el previsto para este dispositivo es considerado como uso incorrecto.

No utilizar este instrumento en sistemas de seguridad o instrumentos de parada de emergencia.

3.4 Responsabilidad del usuario

El dispositivo se utiliza en el sector industrial. Por lo tanto, el usuario está sujeto a las responsabilidades legales para la seguridad en el trabajo.

Se deben cumplir las instrucciones de seguridad de este manual de instrucciones, así como las normas de seguridad, de prevención de accidentes y de protección del medio ambiente del área funcional.

El usuario está obligado a mantener la placa de identificación bien legible.

3.5 Cualificación del personal



¡ADVERTENCIA!

¡Riesgo de lesiones debido a una insuficiente cualificación!

Un manejo no adecuado puede causar considerables daños personales y materiales.

- ▶ Las actividades descritas en este manual de instrucciones deben realizarse únicamente por personal especializado con la consiguiente cualificación.
- ▶ Mantener alejado a personal no cualificado de las zonas peligrosas.

3. Seguridad

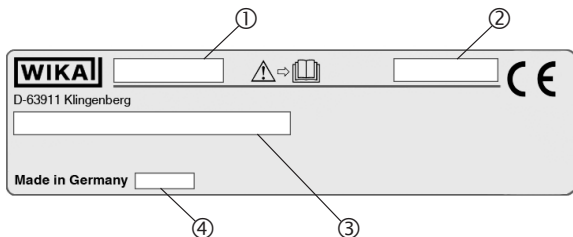
Personal especializado

Debido a su formación profesional, a sus conocimientos de la técnica de regulación y medición así como a su experiencia y su conocimiento de las normativas, normas y directivas vigentes en el país de utilización el personal especializado es capaz de ejecutar los trabajos descritos y reconocer posibles peligros por sí solo.

Algunas condiciones de uso específicas requieren conocimientos adicionales, p. ej. acerca de medios agresivos.

3.6 Rótulos / marcajes de seguridad

Placa de identificación



- ① Modelo
- ② Número de serie
- ③ Datos del transmisor (modelo, señal de salida, rango de medición...)
- ④ Año de fabricación



¡Es absolutamente necesario leer el manual de instrucciones antes del montaje y la puesta en servicio del instrumento!

4. Transporte, embalaje y almacenamiento

4. Transporte, embalaje y almacenamiento

4.1 Transporte

Comprobar si el instrumento presenta eventuales daños causados en el transporte.

Notificar daños obvios de forma inmediata.

Si se transporta el instrumento de un ambiente frío a uno caliente, puede producirse un error de funcionamiento en el mismo. En tal caso, hay que esperar que la temperatura del instrumento se adapte a la temperatura ambiente antes de volver a ponerlo en funcionamiento.

4.2 Embalaje y almacenamiento

No quitar el embalaje hasta justo antes del montaje.

Guardar el embalaje ya que es la protección ideal durante el transporte (por. ej. si el lugar de instalación cambia o si se envía el instrumento para posibles reparaciones).

Condiciones admisibles en el lugar de almacenamiento:

- Temperatura de almacenamiento: véase el manual de instrucciones del correspondiente transmisor
- Humedad: 35 ... 85 % de humedad relativa (sin condensación)

Evitar lo siguiente:

- Luz solar directa o proximidad a objetos calientes
- Vibración mecánica, impacto mecánico (colocación brusca)
- Hollín, vapor, polvo y gases corrosivos

Almacenar el instrumento en su embalaje original en un lugar que cumple las condiciones arriba mencionadas. Si no se dispone del embalaje original, empaquetar y almacenar el instrumento como sigue:

1. Colocar el instrumento junto con el material aislante en el embalaje.
2. Para un almacenamiento prolongado (más de 30 días) colocar una bolsa con un desecante en el embalaje.

5. Puesta en servicio, funcionamiento



¡CUIDADO!

Descarga electrostática

Cuando trabaje durante las operaciones del proceso en marcha, evite cualquier descarga electrostática, ya que puede provocar un error temporal en el valor de medición.

- ▶ Tomar las medidas adecuadas para evitar la descarga electrostática en los bornes.

¡Durante el montaje del instrumento, no exceder la temperatura de servicio admisible (ambiente, medio) respetando además, la convección y la radiación térmica!

ES

5.1 Instalación

Según qué versión, los agujeros para la fijación varían.

Disponible Kits de montaje en tuberías de 1 ... 2" para la caja de campo, versión "redonda" (opcional).

5.2 Prensaestopas

Con este instrumento, el prensaestopas debe ser sellado óptimamente para asegurar que se alcance el tipo de protección necesaria.

Condiciones previas para conseguir el grado de protección

- Utilizar el prensaestopas sólo en la zona indicada de los bornes (diámetro del cable en función de las dimensiones del prensaestopas).
- No utilice el área de sujeción inferior con tipos de cable muy blandos.
- Sólo utilizar cables redondos (o de sección ligeramente ovalada).
- No torcer el cable.
- Es posible abrir y cerrar repetidamente; sin embargo solo si es necesario, ya que podría tener un efecto perjudicial en el grado de protección.
- En cables de elevada susceptibilidad a efectos causados por flujo en frío se debe reapretar el racord.

5. Puesta en servicio, funcionamiento

En el montaje final en la instalación hay que encarar las roscas manualmente. De ese modo se suministran también los componentes previamente montados. La fijación final se realiza con una media rotación de una llave de tuercas.

5.3 Conexión eléctrica

Las condiciones de instalación y los valores de conexión eléctrica los obtendrá del manual de instrucciones del transmisor correspondiente y deben cumplirse.

- Prevenir defectos en cables, conductos y puntos de conexión.
- Dotar los extremos de conductores de filamentos finos con virolas de cable (confección de cables).
- En el caso de los transmisores instalados con cabezal montado, también hay que tener en cuenta las hojas técnicas.

ES

6. Mantenimiento y limpieza

6. Mantenimiento y limpieza



Datos de contacto ver capítulo 1 “Información general” o parte posterior del manual de instrucciones.

6.1 Mantenimiento

La caja de campo no requiere mantenimiento.

Todas las reparaciones solamente las debe efectuar el fabricante.

6.2 Limpieza

Realizar la limpieza tal como se describe a continuación:

1. Antes de limpiar el instrumento, desconectarlo de la red y a pagarlo.
2. Limpiar el dispositivo con un trapo húmedo.

Esto vale especialmente para termorresistencias con cajas de plástico y sensores de cable con línea de conexión con aislamiento de plástico, a fin de evitar el peligro de cargas electrostáticas.

¡No poner las conexiones eléctricas en contacto con la humedad!



¡CUIDADO!

Daño al dispositivo

¡Una limpieza inadecuada puede dañar el dispositivo!

- ▶ No utilizar productos de limpieza agresivos.
- ▶ No utilizar objetos duros o puntiagudos para limpiar.

3. Enjuagar y limpiar el dispositivo desmontado para proteger a las personas y el medio ambiente contra peligros por medios residuales adherentes.

7. Desmontaje, devolución y eliminación de residuos



¡ADVERTENCIA!

Lesiones corporales, daños materiales y del medio ambiente por medios residuales

Medios residuales en el instrumento desmontado pueden causar riesgos para personas, medio ambiente e instalación.

- ▶ Enjuagar y limpiar el dispositivo desmontado para proteger a las personas y el medio ambiente de la exposición a medios residuales.

ES

7.1 Desmontaje

Abrir todas las conexiones sólo cuando estén despresurizadas y enfriadas.

7.2 Devolución

Es imprescindible observar lo siguiente para el envío del instrumento:

Todos los instrumentos enviados a WIKA deben estar libres de sustancias peligrosas (ácidos, lejías, soluciones, etc.) y, por lo tanto, deben limpiarse antes de devolver.

Utilizar el embalaje original o un embalaje adecuado para la devolución del instrumento.

Para evitar daños:

1. Envolver el instrumento en un film de plástico antiestático.
2. Colocar el instrumento junto con el material aislante en el embalaje.
Aislar uniformemente todos los lados del embalaje de transporte.
3. Si es posible, adjuntar una bolsa con secante.
4. Aplicar un marcaje que indique que se trata de un envío de un instrumento de medición altamente sensible.



Las indicaciones sobre el procedimiento de las devoluciones se encuentran en el apartado “Servicio” de nuestra web local.

7. Desmontaje ... / 8. Datos técnicos

7.3 Eliminación de residuos

Una eliminación incorrecta puede provocar peligros para el medio ambiente.

Eliminar los componentes de los instrumentos y los materiales de embalaje conforme a los reglamentos relativos al tratamiento de residuos y eliminación vigentes en el país de utilización.



No eliminar en las basuras domésticas. Garantizar una eliminación correcta según las prescripciones nacionales.

ES

8. Datos técnicos

Aplican los datos técnicos del transmisor de temperatura utilizado. Éstas se detallan en la hoja técnica / en el manual de instrucciones correspondientes.

Las especificaciones de la directiva EMC se aplican solo a los transmisores WIKA integrados. Cuando se utilizan transmisores de otros fabricantes, pueden aplicarse otras normas. Deben observarse las instrucciones y declaraciones de conformidad de la UE suministradas con estos transmisores.

Cuando se utilizan otros transmisores, sus declaraciones UE de conformidad (EMC y RoHS) son válidas. ¡Debido a los certificados de metrología, para la entrega en los CE, hay que incorporar un transmisor WIKA!

Consultar grupo y clase de emisión de interferencia e inmunidad a las mismas, características eléctricas y rango de temperatura ambiente en las hojas técnicas o manuales de instrucciones respectivos.

8. Datos técnicos

Caja de campo "redonda"

Material	<ul style="list-style-type: none">■ Aluminio■ Acero inoxidable
Color	
Caja de aluminio	Azul noche, RAL 5022
Caja de acero inoxidable	Plata
Entradas de cable	<ul style="list-style-type: none">■ 3 x M20 x 1,5■ 3 x ½ NPT
Temperatura ambiente y de almacenamiento admisibles	Depende del modelo de transmisor integrado. Para los valores de temperatura, consulte por favor la documentación del correspondiente transmisor.
Resistencia a la vibración	3 g según EN 60068-2-6
Resistencia a choques	30 g según EN 60068-2-27
Tipo de protección	IP66
Peso	
Caja de aluminio	Aprox. 1,5 kg
Caja de acero inoxidable	Aprox. 3,7 kg
Dimensiones	Véase el siguiente dibujo 2.2 "Dimensiones en mm (aluminio y acero inoxidable)"

1) Versión especial a petición (solo disponible sin protección antiexplosiva o con determinadas homologaciones)

Los datos técnicos de la caja de campo "rectangular" dependen de la versión seleccionada.

Para más datos técnicos, consulte la hoja técnica de WIKA TE 62.02 y la documentación del pedido.

ES

14016840.01 07/2020 EN/DE/FR/ES

WIKA subsidiaries worldwide can be found online at www.wika.com.
WIKA-Niederlassungen weltweit finden Sie online unter www.wika.de.
La liste des filiales WIKA dans le monde se trouve sur www.wika.fr
Sucursales WIKA en todo el mundo puede encontrar en www.wika.es.



WIKAI Alexander Wiegand SE & Co. KG

Alexander-Wiegand-Strasse 30

63911 Klingenberg • Germany

Tel. +49 9372 132-0

Fax +49 9372 132-406

info@wika.de

www.wika.de