

Load pin, model F5802

EN

Messachse, Typ F5802

DE



Model F5802

© 02/2024 WIKA Alexander Wiegand SE & Co. KG
All rights reserved. / Alle Rechte vorbehalten.
WIKA® is a registered trademark in various countries.
WIKA® ist eine geschützte Marke in verschiedenen Ländern.

Prior to starting any work, read the operating instructions and additional operating instructions!
Keep for later use!

Vor Beginn aller Arbeiten Betriebsanleitung lesen!
Zum späteren Gebrauch aufbewahren!

Contents

1. General information	4
2. Safety	5
2.1 Explanation of symbols	5
2.2 Intended use	5
2.3 Improper use	7
2.4 Responsibility of the operator	7
2.5 Personnel qualification	8
2.6 Personal protective equipment	8
2.7 Labelling, safety marks	9
2.8 Signal jump electronics	10
3. Transport, packaging and storage	11
3.1 Transport	11
3.2 Packaging and storage	11
4. Design and function	12
4.1 Overview	12
4.2 Description	12
4.3 Scope of delivery	12
5. Commissioning, operation	13
5.1 Precautions before commissioning	13
5.2 Mounting instructions	13
5.3 Mounting the load pin	14
5.4 Electrical connection.	15
6. Faults	20
7. Maintenance and cleaning	21
7.1 Maintenance	21
7.2 Cleaning	21
7.3 Recalibration	21
8. Dismounting, return and disposal	22
8.1 Dismounting	22
8.2 Return.	22
8.3 Disposal	22
9. Specifications	23
9.1 Dimensions	24
9.2 Approvals	24
10. Accessories	25
10.1 Cable with connector, model EZE53.	25

Declarations of conformity can be found online at www.wika.com.

1. General information

- The load pin described in the operating instructions has been designed and manufactured using state-of-the-art technology. All components are subject to stringent quality and environmental criteria during production. Our management systems are certified to ISO 9001.
- These operating instructions contain important information on handling the instrument. Working safely requires that all safety instructions and work instructions are observed.
- Observe the relevant local accident prevention regulations and general safety regulations for the instrument's range of use.
- The operating instructions are part of the product and must be kept in the immediate vicinity of the instrument and readily accessible to skilled personnel at any time. Pass the operating instructions on to the next operator or owner of the instrument.
- Skilled personnel must have carefully read and understood the operating instructions prior to beginning any work.
- In case of a different interpretation of the translated and the English operation instruction, the English wording shall prevail.
- If available, the provided supplier documentation is also considered to be part of the product in addition to these operating instructions.
- The general terms and conditions contained in the sales documentation shall apply.
- Subject to technical modifications.
- Factory calibrations / DAKKS calibrations are carried out in accordance with international standards.

Further information:

- Internet address: www.wika.com
- Relevant data sheet: FO 51.55
- Application consultant: Phone: +49 9372 132-0
info@wika.de / info.wika.com

Abbreviations, definitions

2-wire	The two connection leads are used for the voltage supply The measuring signal also provides the supply current
3-wire	Two connection leads are used for the voltage supply One connection lead is used for the measuring signal
UB+	Positive power supply terminal
UB-	Negative power supply terminal
S+	Positive signal output
S-	Negative signal output
UR+	Positive power supply terminal for relay (signal jump)
UR-	Negative power supply terminal for relay (signal jump)
x-pin	Pin assignment
Shield	Case

2. Safety

2. Safety

EN

2.1 Explanation of symbols



WARNING!

... indicates a potentially dangerous situation that can result in serious injury or death, if not avoided.



CAUTION!

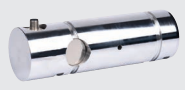
... indicates a potentially dangerous situation that can result in light injuries or damage to property or the environment, if not avoided.



Information

... points out useful tips, recommendations and information for efficient and trouble-free operation.

2.2 Intended use

Model	Version	Design
F5802	Basic version for measuring ranges 20 ... 10,000 kN [204 ... 101,972 tf]	

Force transducer for measuring tension or compression forces, for example in cranes. The product is designed for use both outside and inside buildings.

Load pins can measure forces in both directions. The measured force is output as an electrical signal. These devices are designed for operation in industrial environment.

EN

In other environments, e.g. residential or commercial, they may interfere with other equipment. In this case, the operator may be required to implement appropriate measures.

Only use the load pins in applications that are within the technical performance limits (e.g. max. ambient temperature, material compatibility, etc.). For performance limits, see chapter 9 “Specifications”.

The load pins of model F5802 are not approved for use in hazardous areas! For this, see models F53C1 or F53C8.

These instruments have been designed and tested in accordance with the relevant safety regulations for electronic measuring instruments. Any usage outside of this is deemed to be improper. The perfect functioning and operational safety of the transducers can only be guaranteed when complying with the instructions given in the operating instructions. During its use, the legal and safety regulations (e.g. VDE 0100) required for the particular application must additionally be observed. This also applies accordingly when using accessories. Tension/compression force transducers are RoHS-compliant in accordance with directive 2011/65/EU.

Faultless and safe operation of this transducer requires proper transport, professional storage, installation and mounting as well as careful operation and corrective maintenance.

The load pins are designed exclusively for the intended use which is described here and may only be used accordingly. Claims of any kind due to improper use are excluded.

Handle electronic precision measuring instruments with the required care (protect from humidity, impacts, strong magnetic fields, static electricity and extreme temperatures, do not insert any objects into the instrument or its openings). Plugs and sockets must be protected from contamination.

The technical specifications contained in these operating instructions must be observed. Improper handling or operation of the instrument outside of its technical specifications requires the instrument to be taken out of service immediately and inspected by an authorised service engineer.

This instrument is intended for connection to an external PELV circuit that meets the requirements of UL/IEC/EN 61010-1 Section 9.4 (limited-energy circuit). The manufacturer shall not be liable for claims of any type based on operation contrary to the intended use. The load pins are designed for indoor and outdoor use, at altitudes of up to 2,500 m above sea level. The pollution degree in accordance with UL certification is degree 4: “Electrical equipment for outdoor use”.

2.4 Improper use



WARNING!

Injuries through improper use

Improper use of the instrument can lead to hazardous situations and injuries.

- ▶ Refrain from unauthorised modifications to the instrument.
- ▶ Do not use the load pin as a climbing aid, counterweight or other inappropriate use (see chapter 5 “Commissioning, operation”).
- ▶ Any use beyond or different to the intended use is considered as improper use.

2.3 Responsibility of the operator

The instrument is used in the industrial sector. The operator is therefore responsible for legal obligations regarding safety at work.

The safety instructions within these operating instructions, as well as the safety, accident prevention and environmental protection regulations for the application area must be maintained.

The operator is obliged to maintain the product label (see chapter 3.7 “Labelling, safety marks”) in a legible condition.

To ensure safe working on the instrument, the operating company must ensure

- that suitable first-aid equipment is available and aid is provided whenever required.
- that the skilled electrical personnel are regularly instructed in all topics regarding safety at work, first aid and environmental protection and know the operating instructions and in particular, the safety instructions contained therein.
- that the instrument is suitable for the particular application in accordance with its intended use.
- that personal protective equipment is available.

2.5 Personnel qualification

EN



WARNING!

Risk of injury should qualification be insufficient

Improper handling can result in considerable injury and damage to property.

- ▶ The activities described in these operating instructions may only be carried out by skilled personnel who have the qualifications described below.

Skilled electrical personnel

Skilled electrical personnel are understood to be personnel who, based on their technical training, know-how and experience as well as their knowledge of country-specific regulations, current standards and directives, are capable of carrying out work on electrical systems and independently recognising and avoiding potential hazards. The skilled electrical personnel have been specifically trained for the work environment they are working in and know the relevant standards and regulations. The skilled electrical personnel must comply with current legal accident prevention regulations.

2.6 Personal protective equipment

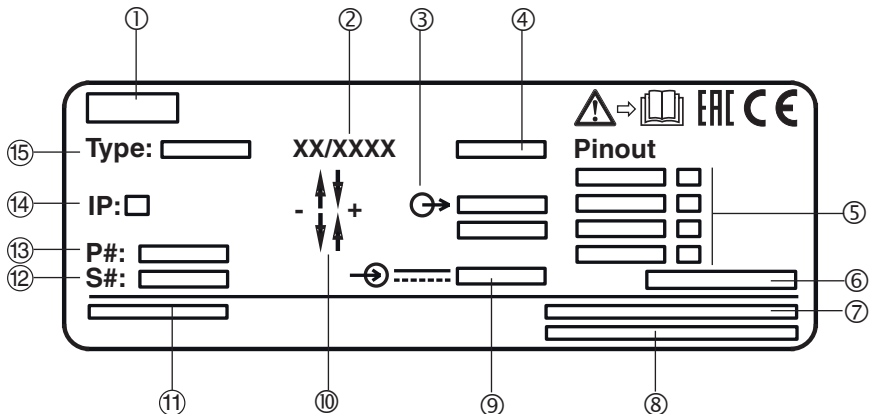
The requirements for the required protective equipment result from the ambient conditions at the place of use, other products or the connection to other products.

The requisite personal protective equipment must be provided by the operating company. The operator is in no way relieved of his obligations under labour law for the safety and the protection of workers' health.

The design of the personal protective equipment must take into account all operating parameters of the place of use.

2.7 Labelling, safety marks

Product label



- ① Manufacturer logo
- ② Year and week of manufacture
- ③ Output signal
- ④ Measuring range
- ⑤ Pin assignment
- ⑥ Country of Manufacture
- ⑦ Manufacturing address
- ⑧ Importer UK address
- ⑨ Supply voltage
- ⑩ Force direction
- ⑪ Website
- ⑫ Serial number, TAG number
- ⑬ Product code
- ⑭ Ingress protection per DIN EN 60529
- ⑮ Model



Before mounting and commissioning the instrument, ensure you read the operating instructions!



DC voltage / direct current

2.8 Signal jump electronics

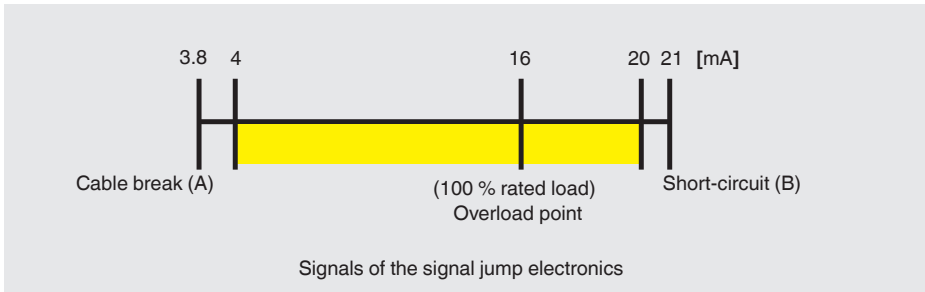
An external safety control system independent of the force transducer must monitor the safe functioning of the force transducer. The functional test with a signal jump of 4 mA / 2 V is executed at an interval of 24 hours. The safety control system activates the relay A, thus changing the output signal of the force transducer in a defined manner.

EN

If the expected change in the output signal occurs, it can be assumed that the entire signal path from the Wheatstone bridge via the amplifier through to the output is functioning correctly. If this does not occur, then it can be concluded that there is an error in the signal path.

Moreover, the measuring signal should be checked by the safety control for the min. (A) and max. (B) signal value to ensure that any cable break or short-circuit that has occurred is detected.

The default setting of the force transducer with current output 4 ... 20 mA for overload detection is, for example:



With a fixed signal jump of, for example, 4 mA, the test cycle can then be triggered, in any operating state, by activating the test relay. The upper measuring range limit of 20 mA will never be reached and thus the checking of the signal jump is enabled.

3. Transport, packaging and storage

3.1 Transport

Check the load pin for any damage that may have been caused by transport. Obvious damage must be reported immediately.



CAUTION!

Damage through improper transport

With improper transport, a high level of damage to property can occur.

- ▶ When unloading packed goods upon delivery as well as during internal transport, proceed carefully and observe the symbols on the packaging.
- ▶ With internal transport, observe the instructions in chapter 4.2 “Packaging and storage”.

As precision measuring instruments, transducers require careful handling during transport and mounting. Load impacts during transport (e.g. hitting a hard surface) can lead to permanent damage, resulting in measured errors in the subsequent measuring operation.

3.2 Packaging and storage

Do not remove packaging until just before mounting.

Keep the packaging as it will provide optimum protection during transport (e.g. change in installation site, sending for repair).

The material of the measuring spring and the ingress protection class can be found in the data sheet FO 51.55.

Permissible conditions at the place of storage:

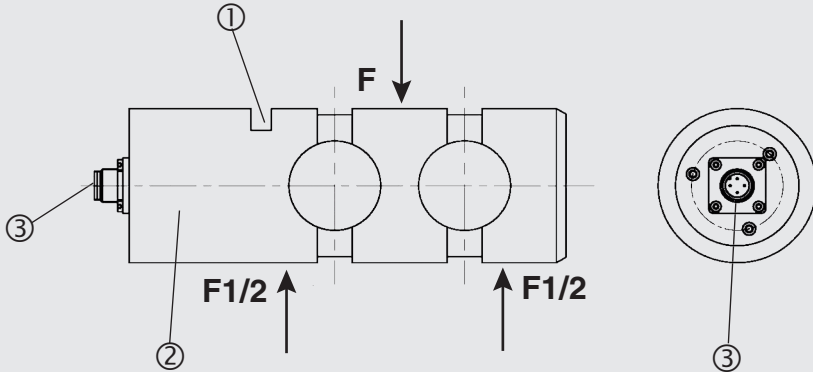
- Storage temperature: -20 ... +80 °C [-4 ... +176 °F]
- Humidity: 35 ... 85 % relative humidity (non-condensing)

Avoid exposure to the following factors:

- Mechanical vibration, mechanical shock (putting it down hard)
- Dust, dirt, and other objects may not be deposited in such a way that they form a force shunt with the measuring spring, since this will falsify the measuring signal.

4. Design and function

4.1 Overview



Exemplary illustration

- ① Axle retainer groove
- ② Measuring spring
- ③ Electrical connection

4.2 Description

The load pin is designed for measuring static and dynamic tension or compression forces. The load pin consists of a measuring spring and bonded strain gauges. The measuring body is made of stainless steel and is elastically deformed by a compression force introduced in the force direction. The resulting mechanical tensions are measured and output by an electrical output signal.

4.3 Scope of delivery

- Load pin
- Operating instructions

Cross-check scope of delivery with delivery note.

5. Commissioning, operation

5.1 Precautions before commissioning

- Load pins are sensitive measuring instruments and must be handled with appropriate care.
- Before installing the load pin, check whether the holes of the mounting position have been executed dimensionally accurately, thus guaranteeing problem-free mechanical installation of the load pin.
- Make sure that no frictional connection is formed between fork bearing and force introduction. A gap of at least 0.5 mm [0.02 in] must be provided.
- Before installation, make sure that the drilling chips have been removed from the holes.
- Depending on the installation situation, lubricant may be required in the holes for mounting the load pin.

5.2 Mounting instructions



CAUTION!

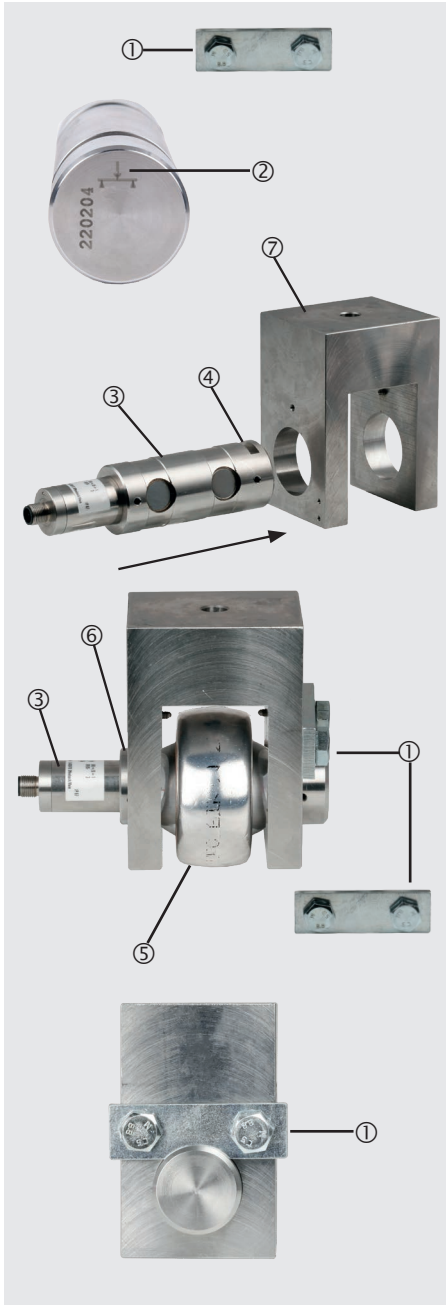
Damage to the instrument through improper installation

Improper mounting can lead to incorrect loads on the load pin due to torsional and transverse forces. These loads cause measured errors and can permanently damage or destroy the load pins.

- ▶ Improper loading can lead to permanent damage resulting in a zero point offset in the unloaded state.
- ▶ Carry out the mounting of the load pin without using strong force (e.g. hammer).
- ▶ During mounting of the load pin, the output signal (force value) must always be monitored to avoid mechanical overloading.
- ▶ Do not use the load pin as a climbing aid.
- ▶ The force acting on the load pin must be applied at the designated point in the correct load direction.
- ▶ The output signal and the pin assignment are stated on the product label.
- ▶ Avoid torsional torques, off-centre loading and transverse loading or lateral forces. Transverse loading and lateral forces also include the corresponding components of the measurands that may be introduced at an angle.
- ▶ The load pin may only be subjected to loads in the intended type of bearing.
- ▶ The acting forces are introduced via the two bores/holes.
- ▶ Make sure that the force is applied exclusively via the bolts and not via the bearing.
- ▶ The bolt diameter should always be selected to match the bolt diameter of the load pin.
- ▶ Force shunts of any kind, e.g. due to spacer rings, must be avoided. These can also lead to measuring deviations.

5.3 Mounting the load pin

EN



- ① Axle retainer
- ② Force direction arrows
- ③ Load pin (exemplary illustration based on model F5301)
- ④ Axle retainer groove
- ⑤ Force introduction
- ⑥ Load pin mounting position
- ⑦ Connection of the load pin (e.g. fork bearing)

- The axle retainer to DIN 15058 ① must be fastened such that the load pin ③ is secured in the installation situation ⑥ against twisting and axial play.

- The axle retainer ① must not be subjected to loads (e.g. axial loads) while mounted.

- Use only captive fasteners for the axle retainer ①.

- The axle bracket ① must not hinder the deflection in the load direction. Please observe the information given in DIN 15058 for axle retainers.

- Prior to installation, observe the force direction arrows ② on the front face of the load pin ③ and the mounting position.

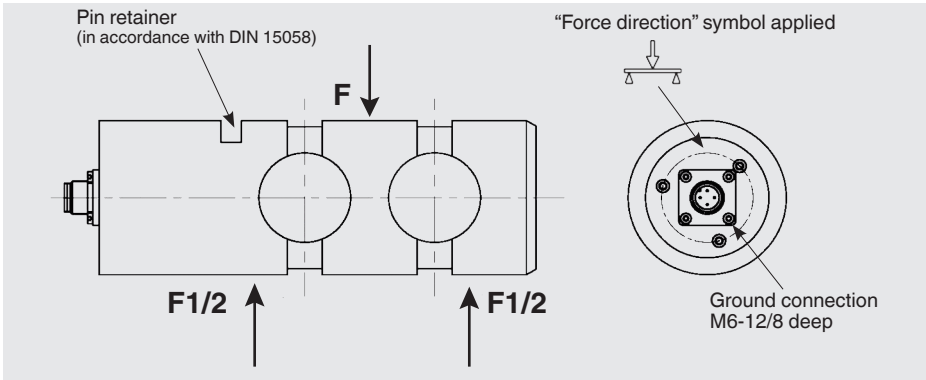
- It must be ensured that there are no force shunts in the mounted condition.

- Introduce the load pin ③ carefully into the mounting position ⑥ (fork bearing), using the axle retainer groove ④ as reference for aligning the load pin ③.

- The force introduction ⑤ in the centre may not move and must be mounted such that an axial shift is not possible. No force shunt may be produced.

- Align the load pin ③ and mount the axle retainer ①.

Mounting situation of the load pin



Exemplary illustration.

The customer-specific load pin drawing of the respective order number has priority.

5.4 Electrical connection

To prevent interferences from coupling into the system, observe the following information:

- Use only shielded and low-capacitance measuring cables (for cables, see chapter 10 “Accessories”).
- The shield of the measuring cable must be factored into the equipotential bonding / grounding of the system.
- Connect the cable shield to the case of the load pin. In the cables of the accessories, the cable shield is connected by means of the knurled nut, thus connecting it to the case of the load pin (for cables, see chapter 10 “Accessories”).
- Do not install measuring cables in parallel to 3-phase-current cables and control lines.
- Avoid stray fields of transformers, motors and contactors.
- Transducers, amplifiers and processing or display units must not be grounded several times. Connect all instruments to the same protective conductor.

The pin assignment of the connector or of the cable can be found on the product label.

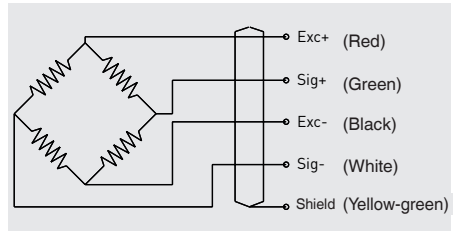
For a cable extension, only shielded and low-capacitance cables should be used. The permitted maximum and minimum lengths of cable are defined in ISO 11898-2. Care should be taken also to ensure a high-quality connection of the shielding.

5. Commissioning, operation

5.4.1 Pin assignment cable

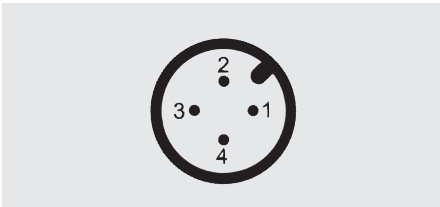
Electrical connection

Supply voltage +	Exc+	Red
Supply voltage -	Exc-	Black
Signal +	Sig+	Green
Signal -	Sig-	White
Shield ⊕	Shield	Yellow-green



Output signal 1 ... 2 mV/V

Connector M12 x 1, 4-pin or 5-pin



Cable colours only apply when using the WIKA standard cable, e.g. order number 14259454

5. Commissioning, operation

EN

5.4.2 Pin assignment of analogue output

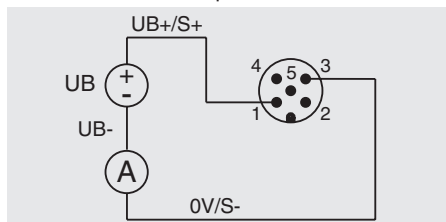
Abbreviations, definitions

Signal	Description
UB	Voltage source for sensor
UB+	Sensor-supply voltage (+)
UB-	Sensor-supply voltage (-)
S+	Output signal (+)
S-	Output signal (-)
0V	0V-Potential

Signal	Description
(A)	Ammeter
(V)	Voltmeter
(+)	Voltage source
—	Switch
(⊕)	Shield (grounding)

Output 4 ... 20 mA, 2-wire

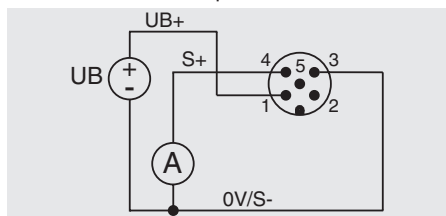
Connector M12 x 1, 5-pin



Signal	4 ... 20 mA, 2-wire	Cable colour
UB+/S+	1	Brown
0V/S-	3	Black
Shield (⊕)	Case / connector	-

Output 4 ... 20 mA, 3-wire

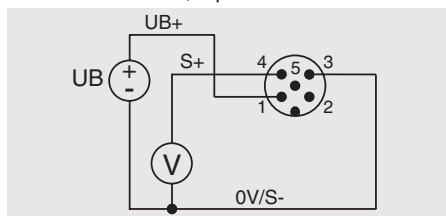
Connector M12 x 1, 5-pin



Signal	4 ... 20 mA, 3-wire	Cable colour
UB+	1	Brown
S+	4	Black
0V/S-	3	Blue
Shield (⊕)	Case / connector	-

Output 0...10 V, 3-wire

Connector M12 x 1, 5-pin



Signal	0 ... 10 V, 3-wire	Cable colour
UB+	1	Brown
S+	4	Black
0V/S-	3	Blue
Shield (⊕)	Case / connector	-

Cable colours only apply when using the WIKA standard cable, e.g. order number 14259454

14528931.01 02/2024 EN/DE

5. Commissioning, operation

5.4.3 Pin assignment with signal jump

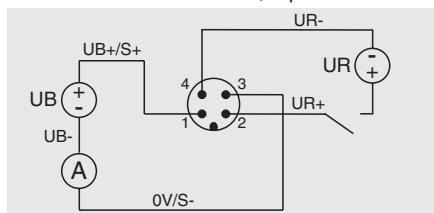
Abbreviations, definitions

Signal	Description
UB	Voltage source for sensor
UB+	Sensor-supply voltage (+)
UB-	Sensor-supply voltage (-)
UR	Voltage source for den signal jump
UR+	Signal jump-supply voltage (+)
UR-	Signal jump-supply voltage (-)
S+	Output signal (+)
S-	Output signal (-)
0V	0V-Potential

Signal	Description
Ⓐ	Ammeter
Ⓥ	Voltmeter
⊕	Voltage source
⌞	Switch
Ⓢ	Shield [grounding]

Output 4 ... 20 mA, 2-wire

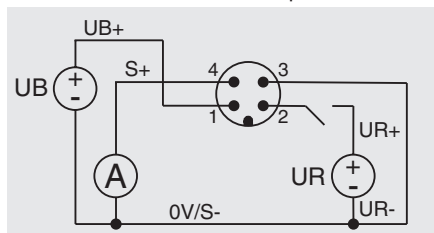
Circular connector M12 x 1, 4-pin



Signal	4 ... 20 mA, 2-wire	Cable colour
UB+/S+	1	Brown
0V/S-	3	Blue
UR+	2	White
UR-	4	Black
Shield ⊕	Case / connector	-

Output 4 ... 20 mA, 3-wire

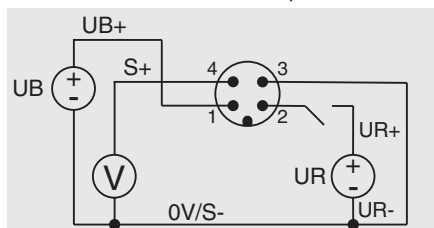
Circular connector M12 x 1, 4-pin



Signal	4 ... 20 mA, 3-wire	Cable colour
UB+	1	Brown
0V/S-	3	Blue
UR+	2	White
UR-	3	Blue
S+	4	Black
Shield ⊕	Case / Connector	-

Output 0...10 V, 3-wire

Circular connector M12 x 1, 4-pin




Signal	0 ... 10 V, 3-wire	Cable colour
UB+	1	Brown
0V/S-	3	Blue
UR+	2	White
UR-	3	Blue
S+	4	Black
Shield ⊕	Case / Connector	-

Cable colours only apply when using the WIKA standard cable, e.g. order number: 14259454

5. Commissioning, operation

5.4.4 Pin assignment for CANopen®

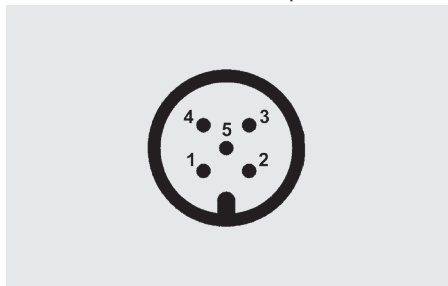
Abbreviations, definitions


Signal	Description
CAN-SHLD, Shield 	Shield
CAN-V+	External positive voltage supply for the supply of the sensor
CAN-GND	External 0V Potential for the supply of the sensor
CAN-High	CAN_H Bus line (dominant high)
CAN-Low	CAN_L Bus line (dominant low)

EN

Output CANopen® in according to CiA®303-1

Circular connector M12 x 1, 5-pin



Signal	Pin	Cable colour
CAN-SHLD, Shield 	1 / case / connector	Brown
CAN-V+	2	Blue
CAN-GND	3	White
CAN-High	4	Blue
CAN-Low	5	Black

Cable colours only apply when using the WIKA standard cable, e.g. order number 14259454

Connect the cable shield to the case of the force transducer.

In the cables of the accessories, the cable shield is connected by means of the knurled nut, thus connecting it to the case of the force transducer. When using extensions, only shielded and low-capacitance cables should be used.

The permitted maximum and minimum lengths of cable are defined in ISO 11898-2. Care should also be taken with the shielding to ensure a high-quality connection.

6. Faults

EN



DANGER!
Danger to life from explosion

Through working in flammable atmospheres, there is a risk of explosion which can cause death.

- ▶ Only rectify faults in non-flammable atmospheres!



CAUTION!
Physical injuries, damage to property

If faults cannot be eliminated by means of the listed measures, the load pin must be taken out of operation immediately.

- ▶ Contact the manufacturer.
- ▶ If a return is needed, please follow the instructions given in chapter 8.2 “Return”.



For contact details, see chapter 1 “General information” or the back page of the operating instructions.

Faults	Causes	Measures
No output signal	No or wrong supply voltage, current pulse	Correct the supply voltage
	Cable break	Check the continuity
No or wrong output signal	Wrong pin assignment	Check pin assignment
Deviating zero point signal	Overload, load offset, wrong connection	Consult the manufacturer
Constant output signal when changing force	Mechanical overloading, wrong pin assignment	Consult the manufacturer
Signal span varies	EMC interference sources in the environment, e.g., frequency converter	Shield the instrument; line shielding; remove source of interference
Signal span drops/too small	Mechanical overloading	Consult the manufacturer

7. Maintenance and cleaning

7.1 Maintenance

This instrument is maintenance-free.

Repairs must only be carried out by the manufacturer.

Only use original parts (see chapter 10 “Accessories”).

7.2 Cleaning

1. Prior to cleaning, disconnect the load pin from the voltage supply and dismount it.
2. Clean the load pin with a cloth.

Electrical connections must not come into contact with moisture!



CAUTION!

Damage to the instrument

Improper cleaning may lead to damage to the instrument!

- ▶ Do not use any aggressive cleaning agents.
- ▶ Do not use any hard or pointed objects for cleaning.

7.3 Recalibration

DAkkS calibration certificate - official certificates:

We recommend that the load pin is regularly recalibrated by the manufacturer, with time intervals of approx. 24 months.



For contact details, see chapter 1 “General information” or the back page of the operating instructions.

8. Dismounting, return and disposal

8.1 Dismounting

EN



DANGER!

Danger to life caused by electric current

Upon contact with live parts, there is a direct danger to life.

- ▶ The dismounting of the instrument may only be carried out by skilled personnel.

Relieve the load pin and disconnect it from power. Unscrew the axle retainer and remove the load pin from its mounting position.

8.2 Return

Strictly observe the following when shipping the instrument:

All instruments delivered to WIKA must be free from any kind of hazardous substances (acids, bases, solutions, etc.) and must therefore be cleaned before being returned.

When returning the instrument, use the original packaging or a suitable transport packaging.

To avoid damage:

1. Wrap the instrument in an anti-static plastic film.
2. Place the instrument, along with the shock-absorbent material, in the packaging.
Place shock-absorbent material evenly on all sides of the transport packaging.
3. If possible, place a bag containing a desiccant inside the packaging.
4. Label the shipment as carriage of a highly sensitive measuring instrument.



Information on returns can be found under the heading “Service” on our local website.

8.3 Disposal

Incorrect disposal can put the environment at risk.

Dispose of instrument components and packaging materials in an environmentally compatible way and in accordance with the country-specific waste disposal regulations.



Do not dispose of with household waste.
Ensure a proper disposal in accordance with national regulations.

9. Specifications

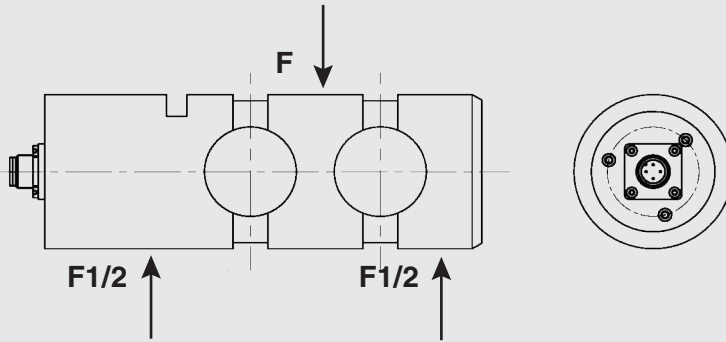
Model	F5802
Rated force F_{nom} kN [tf]	20 kN ... 10,000 kN [204 tf ... 101,972 tf]
Relative linearity error $d_{lin}^{1)}$	0.5 % ... 1 % F_{nom}
Relative reversibility v	0.5 % ... 1 % F_{nom}
Relative repeatability error in unchanged mounting position b_{rg}	0.5 % ... 1 % F_{nom}
Temperature effect on	
characteristic value TK_c	0.2 % $F_{nom}/10$ K
zero signal TK_0	0.2 % $F_{nom}/10$ K
Force limit F_L	150 % F_{nom}
Breaking force F_B	300 % F_{nom}
Material of measuring device	Corrosion-resistant stainless steel
Rated temperature $B_{T, nom}$	-10 ... +40 °C [14 ... +104 °F]
Operating temperature $B_{T, G}$	-20 ... +80 °C [-4 ... +176 °F]
Electrical connection	M 12x1, 4-pin or 5-pin
Output signal (rated output) C_{nom}	<ul style="list-style-type: none"> ■ 4 ... 20 mA, 2-wire ■ 4 ... 20 mA, 3-wire ■ 2 x 4 ... 20 mA, redundant ■ DC 0 ... 10 V, 3-wire ■ 2 x DC 0 ... 10 V redundant ■ 1 ... 2 mV/V ■ CANopen® <p>Protocol in accordance with CiA®301, device profile CiA®404, communication services LSS (CiA®305), configuration of the instrument address and baud rate Sync/Async, Node/Lifeguarding, heartbeat; zero and span ± 10 % adjustable via entries in the object directory ²⁾</p>
Input resistance R_e	750 \pm 30 Ω
Output resistance R_a	700 \pm 5 Ω
Insulation resistance	\geq 5,000 M Ω
Supply voltage U_B	<ul style="list-style-type: none"> ■ DC 9 ... 36 V for current output ■ DC 13 ... 36 V for voltage output ■ DC 5 ... 10 V for mV/V ■ DC 9 ... 36 V for CANopen®
Ingress Protection	IP67 (per IEC/EN 60529)

1) Relative linearity error accordance with VDI/VDE/DKD 2638 chapter 3.2.6.

2) Protocol in accordance with CiA®301, device profile CiA®404, communication service LSS (CiA®305)
CANopen® and CiA® are registered community trademarks of CAN® in Automation e. V.

9. Specifications

9.1 Dimensions





Exemplary illustration.

Dimensioning: The customer-specific load pin drawing of the respective order number has priority.

For further specifications, see WIKA data sheet FO 51.55 and the order documentation.

9.2 Approvals





Logo	Description	Region
	EU declaration of conformity <ul style="list-style-type: none">■ EMC directive■ RoHS directive	European Union
	EAC EMC directive	Eurasian Economic Community

→ Approvals and certificates, see website.

10. Accessories

10.1 Cable with connector, model EZE53

Connector M12 x 1, model EZE53 with moulded cable

Type	Description	Temperature range	Cable diameter	Cable length	Order number
	Straight version, cut to length, 4-pin, PUR cable, UL listed, IP67	-20 ... +80 °C [-4 ... +176 °F]	Ø 4.75 mm ... 5.7 mm [Ø 0.18 in ... 0.22 in]	2 m [6.6 ft]	14259451
				5 m [16.4 ft]	14259453
				10 m [32.8 ft]	14259454
	Straight version, cut to length, 4-pin, PUR cable, UL listed, IP67	-20 ... +80 °C [-4 ... +176 °F]	Ø 4.75 mm ... 5.7 mm [Ø 0.18 in ... 0.22 in]	2 m [6.6 ft]	14259458
				5 m [16.4 ft]	79100672
				10 m [32.8 ft]	14259472
	Angled version, cut to length, 4-pin, PUR cable, UL listed, IP67	-20 ... +80 °C [-4 ... +176 °F]	Ø 5.05 mm ... 6 mm [Ø 0.2 in ... 0.24 in]	2 m [6.6 ft]	14259452
				5 m [16.4 ft]	14293481
				10 m [32.8 ft]	14259455
	Angled version, cut to length, 4-pin, PUR cable, UL listed, IP67	-20 ... +80 °C [-4 ... +176 °F]	Ø 5.05 mm ... 6 mm [Ø 0.2 in ... 0.24 in]	2 m [6.6 ft]	79101493
				5 m [16.4 ft]	79100686
				10 m [32.8 ft]	On request

Other cable lengths and cable types are available on request.

WIKA accessories can be found online at www.wika.com.

Inhalt

1. Allgemeines	28
2. Sicherheit	29
2.1 Symbolerklärung	29
2.2 Bestimmungsgemäße Verwendung	29
2.3 Fehlgebrauch	31
2.4 Verantwortung des Betreibers.	31
2.5 Personalqualifikation.	32
2.6 Persönliche Schutzausrüstung	32
2.7 Beschilderung, Sicherheitskennzeichnungen	33
2.8 Signalsprung-Elektronik.	34
3. Transport, Verpackung und Lagerung	35
3.1 Transport.	35
3.2 Verpackung und Lagerung	35
4. Aufbau und Funktion	36
4.1 Übersicht.	36
4.2 Beschreibung	36
4.3 Lieferumfang	36
5. Inbetriebnahme, Betrieb	37
5.1 Vorkehrung vor der Inbetriebnahme.	37
5.2 Montagehinweise	37
5.3 Montage der Messachse	38
5.4 Elektrischer Anschluss	39
6. Störungen	44
7. Wartung und Reinigung	45
7.1 Wartung	45
7.2 Reinigung	45
7.3 Rekalibrierung	45
8. Demontage, Rücksendung und Entsorgung	46
8.1 Demontage	46
8.2 Rücksendung	46
8.3 Entsorgung	46
9. Technische Daten	47
9.1 Abmessungen	48
9.2 Zulassungen	48
10. Zubehör	49
10.1 Kabel mit Steckverbinder, Typ EZE53	49

DE

14528931.01.02/2024 EN/DE

Konformitätserklärungen finden Sie online unter www.wika.de.

1. Allgemeines

- Die in der Betriebsanleitung beschriebene Messachse wird nach dem aktuellen Stand der Technik konstruiert und gefertigt. Alle Komponenten unterliegen während der Fertigung strengen Qualitäts- und Umweltkriterien. Unsere Managementsysteme sind nach ISO 9001 zertifiziert.
- Diese Betriebsanleitung gibt wichtige Hinweise zum Umgang mit dem Gerät. Voraussetzung für sicheres Arbeiten ist die Einhaltung aller angegebenen Sicherheitshinweise und Handlungsanweisungen.
- Die für den Einsatzbereich des Gerätes geltenden örtlichen Unfallverhütungsvorschriften und allgemeinen Sicherheitsbestimmungen einhalten.
- Die Betriebsanleitung ist Produktbestandteil und muss in unmittelbarer Nähe des Gerätes für das Fachpersonal jederzeit zugänglich aufbewahrt werden. Betriebsanleitung an nachfolgende Benutzer oder Besitzer des Gerätes weitergeben.
- Das Fachpersonal muss die Betriebsanleitung vor Beginn aller Arbeiten sorgfältig durchgelesen und verstanden haben.
- Bei unterschiedlicher Auslegung der übersetzten und der englischen Betriebsanleitung ist der englische Wortlaut maßgebend.
- In diesem Dokument wird zur besseren Lesbarkeit das generische Maskulinum verwendet. Weibliche und anderweitige Geschlechteridentitäten werden dabei ausdrücklich eingeschlossen.
- Falls vorhanden, gilt neben dieser Betriebsanleitung auch die mitgelieferte Zuliefererdokumentation als Produktbestandteil.
- Es gelten die allgemeinen Geschäftsbedingungen in den Verkaufsunterlagen.
- Technische Änderungen vorbehalten.
- Werkskalibrierungen / DAkKS-Kalibrierungen erfolgen nach internationalen Normen.

Weitere Informationen:

- Internet Adresse: www.wika.de
- Zugehörige Datenblätter: FO 51.55
- Anwendungsberater: Tel.: +49 9372 132-0
info@wika.de / info.wika.com

Abkürzungen, Definitionen

2-Leiter Die zwei Anschlussleitungen dienen zur Spannungsversorgung.
Der Speisestrom ist das Messsignal.

3-Leiter Zwei Anschlussleitungen dienen zur Spannungsversorgung.
Eine Anschlussleitung dient für das Messsignal.

UB+ Positiver Versorgungsanschluss

UB- Negativer Versorgungsanschluss

S+ Positiver Signalausgang

S- Negativer Signalausgang

UR+ Pos. Versorgungsanschluss für Relais (Signalsprung)

UR- Neg. Versorgungsanschluss für Relais (Signalsprung)

x-polig Anschlussbelegung

Schirm Gehäuse

2. Sicherheit

2.1 Symbolerklärung



WARNUNG!

... weist auf eine möglicherweise gefährliche Situation hin, die zum Tod oder zu schweren Verletzungen führen kann, wenn sie nicht gemieden wird.



VORSICHT!

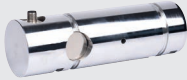
... weist auf eine möglicherweise gefährliche Situation hin, die zu geringfügigen oder leichten Verletzungen bzw. Sach- und Umweltschäden führen kann, wenn sie nicht gemieden wird.



Information

... hebt nützliche Tipps und Empfehlungen sowie Informationen für einen effizienten und störungsfreien Betrieb hervor.

2.2 Bestimmungsgemäße Verwendung

Typen	Ausführung	Design
F5802	Standardausführung für Messbereiche 20 ... 10.000 kN [204 ... 101.972 tf]	

Kraftaufnehmer zur Messung von Zug- oder Druckkräften, z. B. bei Kränen. Das Produkt ist sowohl für den Einsatz im Freien als auch innerhalb von Gebäuden konzipiert.

Die Messachsen können Kräfte in beide Richtungen messen. Die gemessene Kraft wird als elektrisches Signal ausgegeben. Diese Geräte sind für den Betrieb in industrieller Umgebung ausgelegt. In anderen Umgebungen, z. B. in Wohn- oder Geschäftsräumen, kann es zu Störungen mit anderen Geräten kommen. In diesem Fall kann vom Betreiber verlangt werden, dass er entsprechende Maßnahmen ergreift.

DE

Verwenden Sie die Messachsen nur innerhalb der technischen Leistungsgrenzen (z. B. max. Umgebungstemperatur, Materialverträglichkeit, etc.). Leistungsgrenzen siehe Kapitel 9 „Technische Daten“.

Die Messachsen des Typs F5802 sind nicht für den Einsatz in explosionsgefährdeten Bereichen zugelassen! Hierfür die Typen F53C1 und F53C8 verwenden.

Diese Geräte sind nach den Sicherheitsbestimmungen für elektronische Messgeräte gebaut und geprüft. Jeder darüber hinausgehende Gebrauch gilt als nicht bestimmungsgemäß. Die einwandfreie Funktion und Betriebssicherheit der Aufnehmer kann nur bei Einhaltung der Angaben in der Betriebsanleitung garantiert werden. Bei der Verwendung sind zusätzlich die für den jeweiligen Anwendungsfall erforderlichen Rechts- und Sicherheitsvorschriften zu beachten (z. B. VDE 0100). Sinngemäß gilt dies auch bei Verwendung von Zubehör. Die Messachsen sind RoHS-konform nach Richtlinie 2011/65/EU.

Der einwandfreie und sichere Betrieb dieses Aufnehmers setzt sachgemäßen Transport, fachgerechte Lagerung, Aufstellung und Montage sowie sorgfältige Bedienung und Instandhaltung voraus.

Die Messachsen sind ausschließlich für den hier beschriebenen bestimmungsgemäßen Verwendungszweck konzipiert und konstruiert und dürfen nur dementsprechend verwendet werden. Ansprüche jeglicher Art aufgrund von nicht bestimmungsgemäßer Verwendung sind ausgeschlossen.

Elektronische Präzessionsmessgeräte sind mit erforderlicher Sorgfalt zu behandeln (vor Nässe, Stößen, starken Magnetfeldern, statischer Elektrizität und extremen Temperaturen schützen, keine Gegenstände in das Gerät bzw. Öffnungen einführen). Stecker und Buchsen vor Verschmutzung schützen.

Die technischen Spezifikationen in dieser Betriebsanleitung sind einzuhalten. Eine unsachgemäße Handhabung oder ein Betreiben des Gerätes außerhalb der technischen Spezifikationen macht die sofortige Stilllegung und Überprüfung durch einen autorisierten Servicemitarbeiter erforderlich.

Dieses Gerät ist für den Anschluss an einen externen PELV-Stromkreis vorgesehen, der die Anforderungen von UL/IEC/EN 61010-1 Abschnitt 9.4 (Stromkreis mit begrenzter Energie) erfüllt. Ansprüche jeglicher Art, aufgrund von nicht bestimmungsgemäßer Verwendung, sind ausgeschlossen. Die Messachsen sind für den Einsatz im Innen- und Außenbereich ausgelegt, in einer Höhe von typischerweise Meereshöhe bis zu 2500 m ü. NN. Der Verschmutzungsgrad gemäß UL-Zertifizierung ist Degree 4: „Elektrogeräte für den Außenbereich“.

2.3 Fehlgebrauch



WARNUNG!

Verletzungen durch Fehlgebrauch

Fehlgebrauch des Gerätes kann zu gefährlichen Situationen und Verletzungen führen.

- ▶ Eigenmächtige Umbauten am Gerät unterlassen.
- ▶ Der Lastbolzen darf nicht als Aufstiegshilfe, Gegengewicht oder für andere unsachgemäße Zwecke benutzt werden (siehe Kapitel 5 „Inbetriebnahme, Bedienung“).
- ▶ Jede über die bestimmungsgemäße Verwendung hinausgehende oder andersartige Benutzung gilt als Fehlgebrauch.

DE

2.4 Verantwortung des Betreibers

Das Gerät wird im gewerblichen Bereich eingesetzt. Der Betreiber unterliegt daher den gesetzlichen Pflichten zur Arbeitssicherheit.

Die Sicherheitshinweise dieser Betriebsanleitung, sowie die für den Einsatzbereich des Gerätes gültigen Sicherheits-, Unfallverhütungs- und Umweltschutzvorschriften einhalten.

Der Betreiber ist verpflichtet, das Typenschild (siehe Kapitel 3.7 „Beschilderung, Sicherheitskennzeichnungen“) lesbar zu halten.

Für ein sicheres Arbeiten am Gerät muss der Betreiber sicherstellen,

- dass eine entsprechende Erste-Hilfe-Ausrüstung vorhanden ist und bei Bedarf jederzeit Hilfe zur Stelle ist.
- dass das Elektrofachpersonal regelmäßig in allen zutreffenden Fragen von Arbeitssicherheit, Erste Hilfe und Umweltschutz unterwiesen wird, sowie die Betriebsanleitung und insbesondere die darin enthaltenen Sicherheitshinweise kennt.
- dass das Gerät nach der bestimmungsgemäßen Verwendung für den Anwendungsfall geeignet ist.
- dass die persönliche Schutzausrüstung verfügbar ist.

2.5 Personalqualifikation



WARNUNG!

Verletzungsgefahr bei unzureichender Qualifikation

Unsachgemäßer Umgang kann zu erheblichen Personen- und Sachschäden führen.

- ▶ Die in dieser Betriebsanleitung beschriebenen Tätigkeiten nur durch Fachpersonal nachfolgend beschriebener Qualifikation durchführen lassen.

Elektrofachpersonal

Das Elektrofachpersonal ist aufgrund seiner fachlichen Ausbildung, Kenntnisse und Erfahrungen sowie Kenntnis der landesspezifischen Vorschriften, geltenden Normen und Richtlinien in der Lage, Arbeiten an elektrischen Anlagen auszuführen und mögliche Gefahren selbstständig zu erkennen und zu vermeiden. Das Elektrofachpersonal ist speziell für das Arbeitsumfeld, in dem es tätig ist, ausgebildet und kennt die relevanten Normen und Bestimmungen. Das Elektrofachpersonal muss die Bestimmungen der geltenden gesetzlichen Vorschriften zur Unfallverhütung erfüllen.

2.6 Persönliche Schutzausrüstung

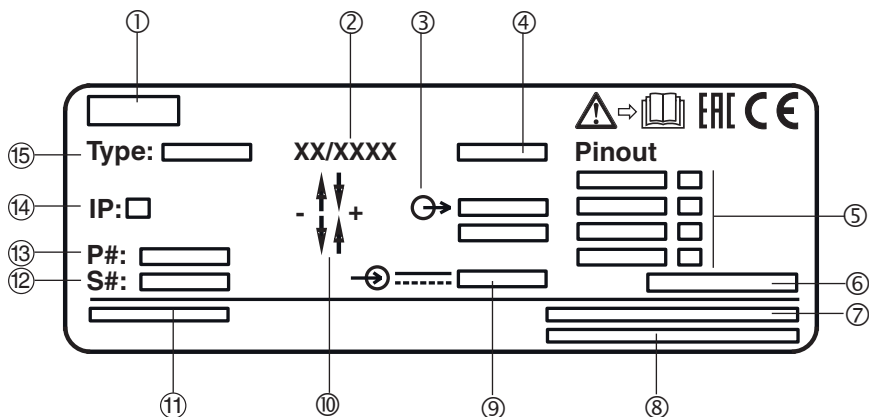
Anforderungen an benötigte Schutzausrüstung ergeben sich aus den Umgebungsbedingungen am Ort der Nutzung, anderen Produkten oder der Verknüpfung mit anderen Produkten.

Die erforderliche persönliche Schutzausrüstung muss vom Betreiber zur Verfügung gestellt werden. Der Betreiber wird durch diese Vorschläge in keinster Weise von seinen arbeitsrechtlichen Pflichten zur Sicherheit und dem Schutz der Gesundheit der Arbeitnehmer entbunden.

Die Bemessung der persönlichen Schutzausrüstung muss unter Berücksichtigung aller Betriebsparameter des Einsatzortes erfolgen.

2.7 Beschilderung, Sicherheitskennzeichnungen

Typenschild



- ① Logo
- ② Herstellungsjahr
- ③ Ausgangssignal
- ④ Messbereich
- ⑤ Anschlussbelegung
- ⑥ Herstellungsland
- ⑦ Hersteller Adresse
- ⑧ Importeur UK
- ⑨ Versorgungsspannung
- ⑩ Krafrichtung
- ⑪ Webseite
- ⑫ Seriennummer, TAG-Nummer
- ⑬ Produktcode
- ⑭ Schutzart nach DIN EN 60259
- ⑮ Typ



Vor Montage und Inbetriebnahme des Geräts unbedingt die Betriebsanleitung lesen!



Gleichspannung / Gleichstrom

2.8 Signalsprung-Elektronik

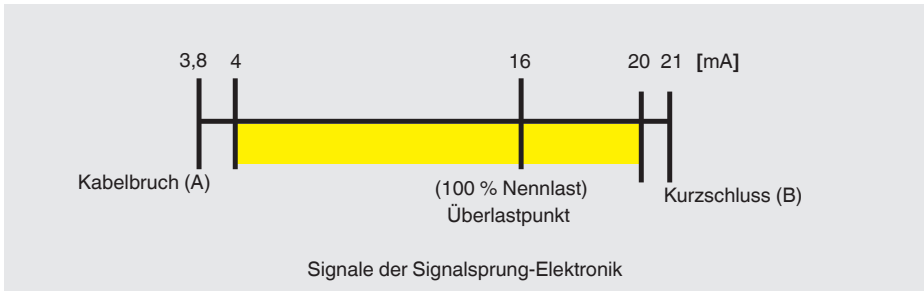
Eine externe, vom Kraftaufnehmer unabhängige Sicherheitssteuerung muss die sichere Funktion des Kraftaufnehmers überwachen. Der Funktionstest mit einem Signalsprung von 4 mA / 2 V wird in einem Intervall von 24 Stunden ausgeführt. Die Sicherheitssteuerung aktiviert das Relais A und verändert damit definiert das Ausgangssignal des Kraftaufnehmers.

DE

Tritt die erwartete Änderung des Ausgangssignals auf, kann davon ausgegangen werden, dass der gesamte Signalweg von der Wheatstone'sche-Messbrücke über den Verstärker bis zum Ausgang korrekt funktioniert. Tritt sie nicht auf, kann auf einen Fehler in diesem Signalweg geschlossen werden.

Weiterhin soll das Messsignal durch die Sicherheitssteuerung auf Min.-(A) und Max.-(B)-Signalwert überprüft werden, um einen evtl. auftretenden Kabelbruch oder Kurzschluss zu erkennen.

Die Standardeinstellung der Kraftaufnehmer mit Stromausgang 4 ... 20 mA zur Überlasterkennung ist zum Beispiel:



Mit einem fest eingestellten Signalsprung von beispielsweise 4 mA kann dann in jedem Betriebszustand bei Aktivierung des Prüfrelais der Testzyklus ausgelöst werden. Die obere Messbereichsgrenze von 20 mA wird jedoch nicht erreicht und dadurch die Überprüfung des Signalsprungs ermöglicht.

3. Transport, Verpackung und Lagerung

3.1 Transport

Die Messachse auf eventuell vorhandene Transportschäden untersuchen.
Offensichtliche Schäden unverzüglich mitteilen.



VORSICHT!

Beschädigungen durch unsachgemäßen Transport

Bei unsachgemäßem Transport können Sachschäden in erheblicher Höhe entstehen.

- ▶ Beim Abladen der Packstücke bei Anlieferung sowie innerbetrieblichem Transport vorsichtig vorgehen und die Symbole auf der Verpackung beachten.
- ▶ Bei innerbetrieblichem Transport die Hinweise unter Kapitel 4.2 „Verpackung und Lagerung“ beachten.

Als Präzisionsmessgeräte verlangen die Aufnehmer beim Transport und der Montage eine sorgfältige Handhabung. Laststöße während des Transports (z. B. Aufschlag auf harten Untergrund) können zu bleibenden Schäden führen, die im späteren Messbetrieb zu Messfehlern führen.

3.2 Verpackung und Lagerung

Verpackung erst unmittelbar vor der Montage entfernen.

Die Verpackung aufbewahren, denn diese bietet bei einem Transport einen optimalen Schutz (z. B. wechselnder Einbauort, Reparatursendung).

Das Material der Messfeder und die Schutzart können aus dem Datenblatt FO 51.55 entnommen werden.

Zulässige Bedingungen am Lagerort:

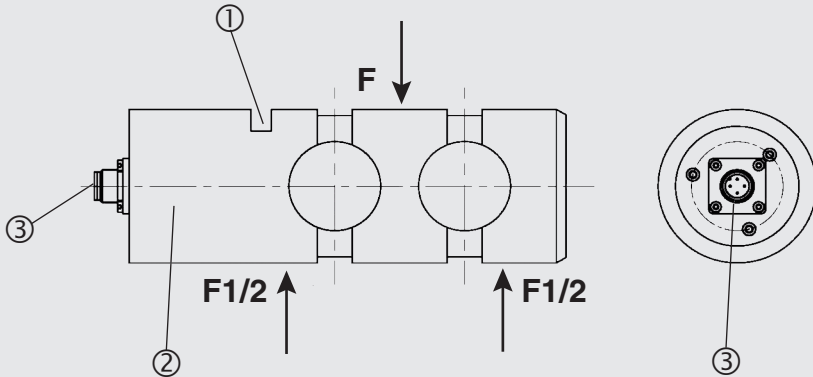
- Lagertemperatur: -20 ... +80 °C [-4 ... +176 °F]
- Feuchtigkeit: 35 ... 85 % relative Feuchte (keine Betauung)

Folgende Einflüsse vermeiden:

- Mechanische Vibration, mechanischer Schock (hartes Aufstellen)
- Staub, Schmutz und sonstige Gegenstände dürfen sich nicht so ablagern, dass sie einen Kraftnebenschluss zur Messfeder bilden, da dadurch das Messsignal verfälscht wird.

4. Aufbau und Funktion

4.1 Übersicht



Beispielhafte Darstellung

- ① Achshalternut
- ② Messfeder
- ③ Elektrischer Anschluss

4.2 Beschreibung

Die Messachse ist für das Messen statischer und dynamischer Zug- oder Druckkräfte vorgesehen. Die Messachse besteht aus einer Messfeder und aufgebrachtten Dehnmessstreifen. Der Messkörper ist aus nichtrostendem CrNi-Stahl gefertigt und wird durch in Krafrichtung eingeleitete Druckkraft elastisch verformt. Die entstehenden mechanischen Spannungen werden dabei durch ein elektrisches Ausgangssignal ausgegeben.

4.3 Lieferumfang

- Messachse
- Betriebsanleitung

Lieferumfang mit dem Lieferschein abgleichen.

5. Inbetriebnahme, Betrieb

5.1 Vorkehrung vor der Inbetriebnahme

- Messachsen sind empfindliche Messgeräte und entsprechend sorgsam zu behandeln.
- Vor der Installation der Messachse prüfen, ob die Bohrungen der Einbaulage maßhaltig ausgeführt wurden, so dass der problemlose mechanische Einbau der Messachse gewährleistet ist.
- Es ist darauf zu achten, dass zwischen Gabellager und Kraffteinleitung kein Reibschluss entsteht. Ein Spalt von 0,5 mm [0,02 in] ist mindestens vorzusehen.
- Vor der Installation ist darauf zu achten, dass die Bohrspäne aus den Bohrungen entfernt wurden.
- Abhängig von der Einbausituation kann Schmiermittel in den Bohrungen zur Montage der Messachse benötigt werden.

DE

5.2 Montagehinweise



VORSICHT!

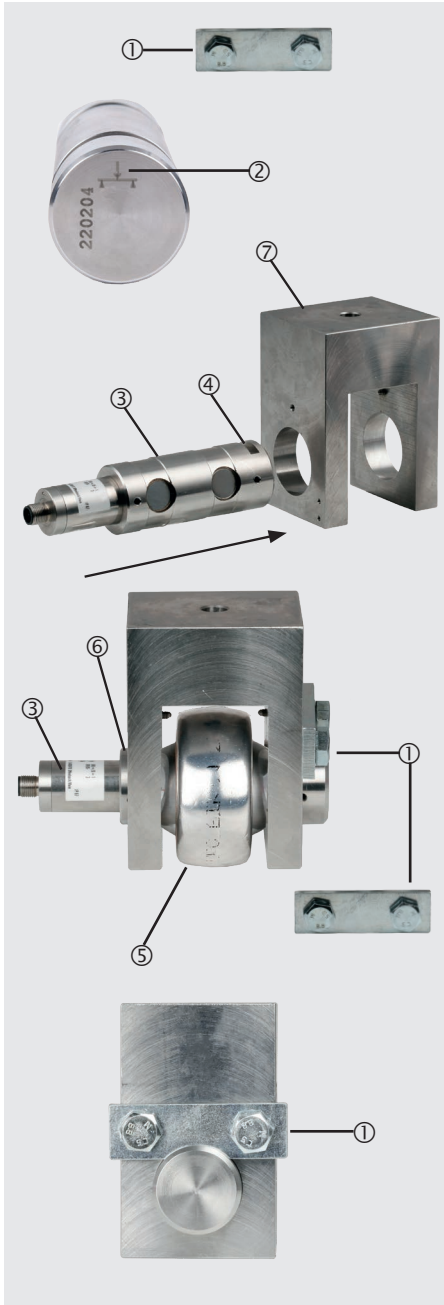
Beschädigung des Gerätes durch unsachgemäße Montage

Unsachgemäße Montage kann zu Fehlbelastungen der Messachse durch Torsions- und Querkräfte führen. Diese Belastungen verursachen Messfehler und können Messachsen bleibend schädigen oder zerstören.

- ▶ Eine Fehlbelastung kann zu dauerhaftem Schaden führen, der eine Nullpunkt-Offset im unbelasteten Zustand zur Folge hat.
- ▶ Die Montage der Messachse ohne starke Gewalteinwirkung (z. B. Hammer) durchführen.
- ▶ Während der Montage der Messachse ist das Ausgangssignal (Kraftwert) stets zu überwachen, um eine mechanische Überlastung zu vermeiden.
- ▶ Messachse nicht als Steighilfe verwenden.
- ▶ Die Kraft, die auf die Messachse wirkt, muss an der dafür vorgesehenen Stelle in der korrekten Lastrichtung eingeleitet werden.
- ▶ Das Ausgangssignal und die Anschlussbelegung sind auf dem Typenschild vermerkt.
- ▶ Torsionsmomente, außermittige Belastungen und Querbelastungen bzw. Seitenkräfte vermeiden. Zu den Querbelastungen und Seitenkräften gehören auch die entsprechenden Komponenten der eventuell schräg eingeleiteten Messgrößen.
- ▶ Messachse darf nur in der vorgesehenen Lagerungsart belastet werden.
- ▶ Die wirkenden Kräfte werden über die beiden Bohrungen/Löcher eingeleitet.
- ▶ Es ist darauf zu achten, dass die Kraft ausschließlich über die Bolzen und nicht über die Gabel eingeleitet wird.
- ▶ Bolzendurchmesser soll stets passend zum Bolzendurchmesser der Messachse gewählt werden.
- ▶ Kraftnebenschlüsse jeglicher Art, z. B. durch Absatzringe, sind zu vermeiden. Diese können ebenfalls zu Messabweichungen führen.

5.3 Montage der Messachse

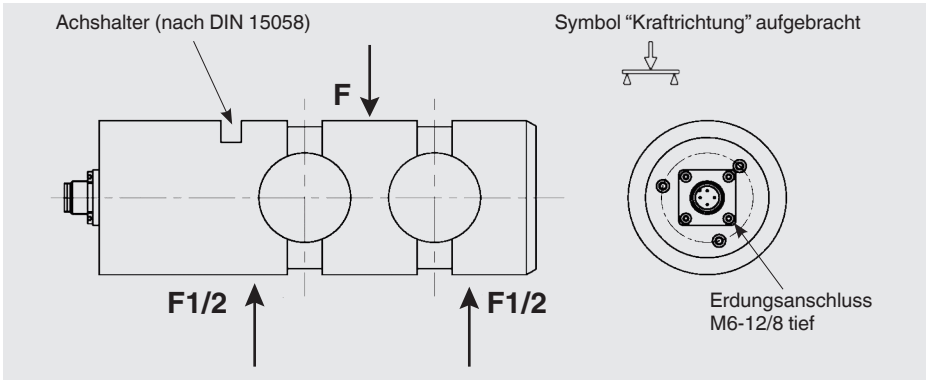
DE



- ① Achshalter
- ② Krafrichtungspfeile
- ③ Messachse (beispielhafte Darstellung anhand des Typs F5301)
- ④ Achshalternut
- ⑤ Krafeinleitung
- ⑥ Messachse Einbaulage
- ⑦ Anbindung der Messachse (z. B. Gabellager)

- Der Achshalter nach DIN 15058 ① ist so zu befestigen, dass die Messachse ③ in der Einbausituation ⑥ gegen Verdrehen und gegen Axialspiel gesichert ist.
- Achshalter ① darf im montierten Zustand nicht beansprucht werden (z. B. durch Achslast).
- Für den Achshalter ① nur unverlierbare Befestigungsmittel verwenden.
- Der Achshalter ① darf die Einfederung in Lastrichtung nicht behindern. Hinweise in der DIN 15058 für Achshalter beachten.
- Vor dem Einbau die Krafrichtungspfeile ② auf der Stirnseite der Messachse ③ sowie die Einbaulage beachten.
- Es muss sichergestellt werden, dass im montierten Zustand keine Kraftneben-schlüsse bestehen.
- Die Messachse ③ vorsichtig in die Einbaulage ⑥ (Gabellager) einführen, die Achshalternut ④ dient als Referenz zum Ausrichten der Messachse ③.
- Die Krafeinleitung ⑤ in der Mitte darf nicht wandern und ist so zu montieren, dass ein axiales Verschieben nicht möglich ist. Es darf kein Kraftneben-schluss entstehen.
- Die Messachse ③ ausrichten und den Achshalter ① montieren.

Einbausituation der Messachse



Beispielhafte Darstellung.

Es gilt vorrangig die kundenspezifische Messachszeichnung der jeweiligen Bestellnummer.

5.4 Elektrischer Anschluss

Um Einkopplungen von Störungen zu vermeiden folgende Hinweise beachten:

- Nur abgeschirmte, kapazitätsarme Messkabel verwenden (Kabel siehe Kapitel 10 „Zubehör“).
- Der Schirm des Messkabels muss in den Potenzialausgleich/die Erdung der Anlage mit einbezogen werden.
- Den Kabelschirm mit dem Gehäuse der Messachse verbinden. Bei den Zubehörkabeln ist der Kabelschirm mit der Rändelmutter und damit mit dem Gehäuse der Messachse verbunden (Kabel siehe Kapitel 10 „Zubehör“).
- Messkabel nicht parallel zu Starkstrom- und Steuerleitungen legen.
- Streufelder von Transformatoren sowie Motoren und Schützen vermeiden.
- Aufnehmer, Verstärker und Verarbeitungs- bzw. Anzeigeeinheit dürfen nicht mehrfach geerdet werden. Alle Geräte an den selben Schutzleiter anschließen.

Die Anschlussbelegung des Steckers oder des Kabels sind dem Typenschild zu entnehmen.

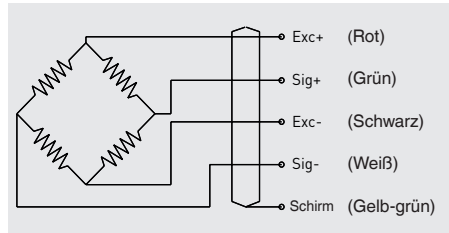
Für eine Kabelverlängerung dürfen nur abgeschirmte und kapazitätsarme Kabel verwendet werden. Die erlaubten maximalen und minimalen Längen des Kabels sind in der ISO 11898-2 angegeben. Dabei ist auf eine hochwertige Verbindung auch der Abschirmung zu achten.

5. Inbetriebnahme, Betrieb

5.4.1 Anschlussbelegung Kabel

Elektrischer Anschluss

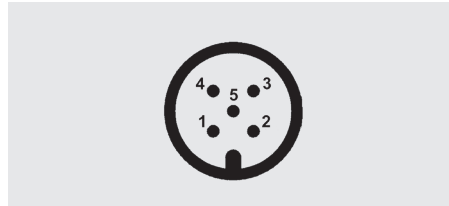
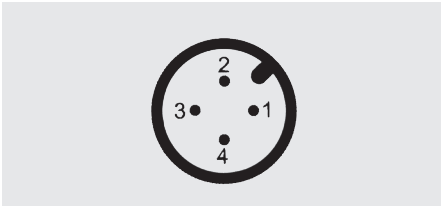
Versorgungsspannung +	Exc+	Rot
Versorgungsspannung -	Exc-	Schwarz
Signal +	Sig+	Grün
Signal -	Sig-	Weiß
Schirm ⊕	Schirm	Gelb-grün



DE

Ausgangssignal 1 ... 2 mV/V

Elektrischer Anschluss M12 x 1, 4-polig oder 5-polig



Kabelfarben gelten nur bei Verwendung der WIKA-Standardkabel, z. B. Bestellnummer: 14259454

5. Inbetriebnahme, Betrieb

5.4.2 Anschlussbelegung des Analogausgangs

Abkürzungen, Definitionen

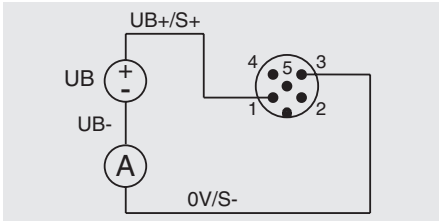
Signal	Beschreibung
UB	Spannungsquelle für den Sensor
UB+	Sensor-Spannungsversorgung (+)
UB-	Sensor-Spannungsversorgung (-)
S+	Ausgangssignal (+)
S-	Ausgangssignal (-)
0V	0V-Potential

Signal	Beschreibung
(A)	Amperemeter
(V)	Voltmeter
(+)	Spannungsquelle
— —	Schalter
(⊕)	Schirm (Erdung)

DE

Ausgang 4 ... 20 mA, 2-Leiter

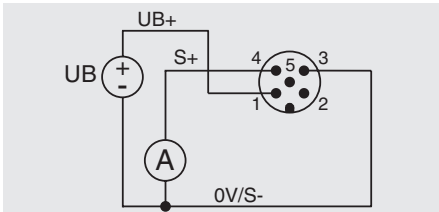
Rundstecker M12 x 1, 5-polig



Signal	4 ... 20 mA, 2-Leiter	Kabelfarbe
UB+/S+	1	Braun
0V/S-	3	Schwarz
Schirm (⊕)	Gehäuse / Stecker	--

Ausgang 4 ... 20 mA, 3-Leiter

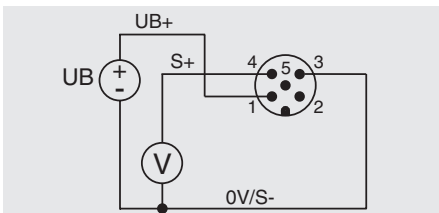
Rundstecker M12 x 1, 5-polig



Signal	4 ... 20 mA, 3-Leiter	Kabelfarbe
UB+	1	Braun
S+	4	Schwarz
0V/S-	3	Blau
Schirm (⊕)	Gehäuse / Stecker	--

Ausgang 0 ... 10 V, 3-Leiter

Rundstecker M12 x 1, 5-polig



Signal	0 ... 10 V, 3-Leiter	Kabelfarbe
UB+	1	Braun
S+	4	Schwarz
0V/S-	3	Blau
Schirm (⊕)	Gehäuse / Stecker	--

Kabelfarben gelten nur bei Verwendung der WIKA-Standardkabel, z. B. Bestellnummer: 14259454

14528931.01.02/2024 EN/DE

5. Inbetriebnahme, Betrieb

5.4.3 Anschlussbelegung mit Signalsprung

Abkürzungen, Definitionen

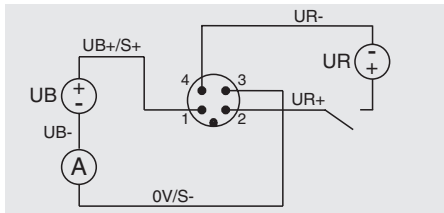
Signal	Beschreibung
UB	Spannungsquelle für den Sensor
UB+	Sensor-Spannungsversorgung (+)
UB-	Sensor-Spannungsversorgung (-)
UR	Spannungsquelle für den Signalsprung
UR+	Signalsprung-Versorgungsspannung (+)
UR-	Signalsprung-Versorgungsspannung (-)
S+	Ausgangssignal (+)
S-	Ausgangssignal (-)
0V	0V-Potential

Signal	Beschreibung
Ⓐ	Amperemeter
Ⓥ	Voltmeter
⊕ ⊖	Spannungsquelle
⌚	Schalter
⊕	Schirm (Erdung)

DE

Ausgang 4 ... 20 mA, 2-Leiter

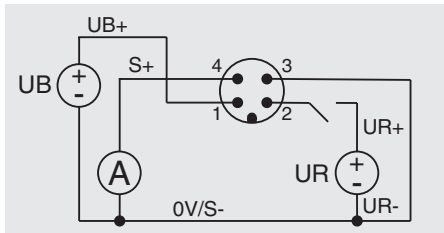
Rundstecker M12 x 1, 4-polig



Signal	4 ... 20 mA, 2-Leiter	Kabelfarbe
UB+/S+	1	Braun
0V/S-	3	Blau
UR+	2	Weiß
UR-	4	Schwarz
Shirm ⊕	Gehäuse / Stecker	--

Ausgang 4 ... 20 mA, 3-Leiter

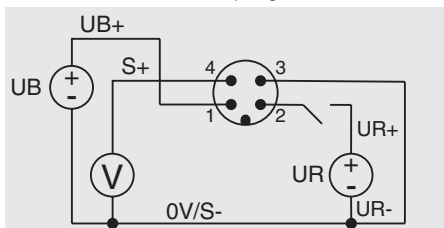
Rundstecker M12 x 1, 4-polig



Signal	4 ... 20 mA, 3-Leiter	Kabelfarbe
UB+	1	Braun
0V/S-	3	Blau
UR+	2	Weiß
UR-	3	Blau
S+	4	Schwarz
Shirm ⊕	Gehäuse / Stecker	--

Ausgang 0 ... 10 V, 3-Leiter

Rundstecker M12 x 1, 4-polig




Signal	0 ... 10 V, 3-Leiter	Kabelfarbe
UB+	1	Braun
0V/S-	3	Blau
UR+	2	Weiß
UR-	3	Blau
S+	4	Schwarz
Shirm ⊕	Gehäuse / Stecker	--

Kabelfarben gelten nur bei Verwendung der WIKA-Standardkabel, z. B. Bestellnummer: 14259454

5.4.4 Anschlussbelegung für CANopen®

Abkürzungen, Definitionen


Signal	Beschreibung
CAN-SHLD, Schirm 	Schirm
CAN-V+	Externe positive Spannungsversorgung für die Versorgung des Sensors
CAN-GND	Externes 0V-Potenzial zur Versorgung des Sensors
CAN-High	CAN_H Bus line (dominant high)
CAN-Low	CAN_L Bus line (dominant low)

DE

Ausgang CANopen® nach CiA®303-1

Rundstecker M12 x 1, 5-polig



Signal	Pin	Kabelfarbe
CAN-SHLD, Schirm 	1 / Gehäuse / Stecker	Braun
CAN-V+	2	Blau
CAN-GND	3	Weiß
CAN-High	4	Blau
CAN-Low	5	Schwarz

Kabelfarben gelten nur bei Verwendung der WIKA-Standardkabel, z. B. Bestellnummer: 14259454

Den Kabelschirm mit dem Gehäuse des Kraftaufnehmers verbinden.

Bei den Zubehörkabeln ist der Kabelschirm mit der Rändelmutter und damit mit dem Gehäuse des Kraftaufnehmers verbunden.

Beim Verlängern dürfen nur abgeschirmte und kapazitätsarme Kabel verwendet werden.

Die erlaubten maximalen und minimalen Längen des Kabels sind in der ISO 11898-2 angegeben. Dabei ist auf eine hochwertige Verbindung auch bei der Abschirmung zu achten.

6. Störungen



GEFAHR!

Lebensgefahr durch Explosion

Durch Arbeiten in entzündlichen Atmosphären besteht Explosionsgefahr, die zum Tod führen kann.

- ▶ Störungen nur in nicht-entzündlichen Atmosphären beseitigen!



VORSICHT!

Körperverletzungen, Sachschäden

Können Störungen mit Hilfe der aufgeführten Maßnahmen nicht beseitigt werden, die Messachse unverzüglich außer Betrieb setzen.

- ▶ Kontakt mit dem Hersteller aufnehmen.
- ▶ Bei notwendiger Rücksendung die Hinweise unter Kapitel 8.2 „Rücksendung“ beachten.



Kontakt Daten siehe Kapitel 1 „Allgemeines“ oder Rückseite der Betriebsanleitung.

Störungen	Ursachen	Maßnahmen
Kein Ausgangssignal	Keine o. falsche Hilfsenergie, Stromstoß	Hilfsenergie korrigieren
	Leitungsbruch	Durchgang überprüfen
Kein oder falsches Ausgangssignal	Falsche Anschlussbelegung	Anschlussbelegung prüfen
Abweichendes Nullpunkt-Signal	Überlast, Last-Offset, falscher Anschluss	Rücksprache mit Hersteller
Gleichbleiben des Ausgangssignals bei Kraftänderung	Mechanische Überlastung, falsche Anschlussbelegung	Rücksprache mit Hersteller
Spannung schwankend	EMV-Störquellen in Umgebung, z. B. Frequenzumrichter	Gerät abschirmen; Leitungsabschirmung; Störquelle entfernen
Spannung fällt ab/zu klein	Mechanische Überlastung	Rücksprache mit Hersteller

7. Wartung und Reinigung

7.1 Wartung

Dieses Gerät ist wartungsfrei.

Reparaturen sind ausschließlich vom Hersteller durchzuführen.

Nur Originalteile verwenden (siehe Kapitel 10 „Zubehör“).

DE

7.2 Reinigung

1. Vor der Reinigung die Messachse ordnungsgemäß von Spannungsversorgung trennen und ausbauen.
2. Die Messachse mit einem Tuch reinigen.
Elektrische Anschlüsse nicht mit Feuchtigkeit in Berührung bringen!



VORSICHT!

Beschädigung des Gerätes

Eine unsachgemäße Reinigung führt zur Beschädigung des Gerätes!

- ▶ Keine aggressiven Reinigungsmittel verwenden.
- ▶ Keine harten und spitzen Gegenstände zur Reinigung verwenden.

7.3 Rekalibrierung

DAkkS-Kalibrierzertifikat - amtliche Bescheinigungen:

Es wird empfohlen, die Messachse in regelmäßigen Zeitabständen von ca. 24 Monaten durch den Hersteller rekalibrieren zu lassen.



Kontaktinformationen siehe Kapitel 1 „Allgemeines“ oder Rückseite der Betriebsanleitung.

8. Demontage, Rücksendung und Entsorgung

8.1 Demontage



GEFAHR!

Lebensgefahr durch elektrischen Strom

Bei Berührung mit spannungsführenden Teilen besteht unmittelbare Lebensgefahr.

- ▶ Die Demontage des Gerätes darf nur durch Fachpersonal erfolgen.

Die Messachse entlasten und vom Strom trennen. Den Achshalter lösen und die Messachse aus der Einbausituation entfernen.

8.2 Rücksendung

Beim Versand des Gerätes unbedingt beachten:

Alle an WIKA gelieferten Geräte müssen frei von Gefahrstoffen (Säuren, Laugen, Lösungen, etc.) sein und sind daher vor der Rücksendung zu reinigen.

Zur Rücksendung des Gerätes die Originalverpackung oder eine geeignete Transportverpackung verwenden.

Um Schäden zu vermeiden:

1. Das Gerät in eine antistatische Plastikfolie einhüllen.
2. Das Gerät mit dem Dämmmaterial in der Verpackung platzieren.
Zu allen Seiten der Transportverpackung gleichmäßig dämmen.
3. Wenn möglich einen Beutel mit Trocknungsmittel der Verpackung beifügen.
4. Sendung als Transport eines hochempfindlichen Messgerätes kennzeichnen.



Hinweise zur Rücksendung befinden sich in der Rubrik „Service“ auf unserer lokalen Internetseite.

8.3 Entsorgung

Durch falsche Entsorgung können Gefahren für die Umwelt entstehen. Gerätekomponenten und Verpackungsmaterialien entsprechend den landesspezifischen Abfallbehandlungs- und Entsorgungsvorschriften umweltgerecht entsorgen.



Nicht mit dem Hausmüll entsorgen.
Für eine geordnete Entsorgung nach nationaler Vorgaben sorgen.

9. Technische Daten

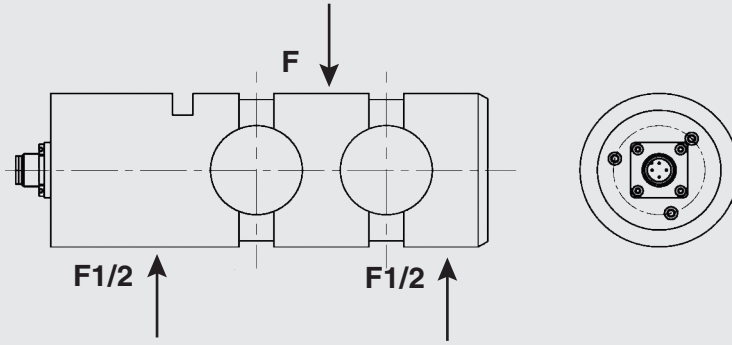
Typ	F5802
Nennkraft F_{nom} kN [tf]	20 kN ... 10.000 kN [204 tf ... 101.972 tf]
Relative Linearitätsabweichung d_{lin} 1)	0,5 % ... 1 % F_{nom}
Relative Umkehrspanne v)	0,5 % ... 1 % F_{nom}
Relative Spannweite in unveränderter Einbaulage b_{rg}	0,5 % ... 1 % F_{nom}
Temperatureinfluss auf	
den Kennwert TK_c	0,2 % F_{nom} / 10 K
das Nullsignal TK_0	0,2 % F_{nom} / 10 K
Grenzkraft F_L	150 % F_{nom}
Bruchkraft F_B	300 % F_{nom}
Material des Messkörpers	Korrosionsbeständiger CrNi-Stahl
Nenntemperatur $B_{T, nom}$	-10 ... +40 °C [14 ... +104 °F]
Gebrauchstemperatur $B_{T, G}$	-20 ... +80 °C [-4 ... +176 °F]
Elektrischer Anschluss	M12 x 1, 4-polig oder 5-polig
Ausgangssignal (Nennkennwert) C_{nom}	<ul style="list-style-type: none"> ■ 4 ... 20 mA, 2-Leiter ■ 4 ... 20 mA, 3-Leiter ■ 2 x 4 ... 20 mA redundant ■ DC 0 ... 10 V, 3-Leiter ■ 2 x DC 0 ... 10 V redundant ■ 1 ... 2 mV/V ■ CANopen® <p>Protokoll nach CiA®301, Geräteprofil CiA®404, Kommunikationsdienst LSS (CiA®305), Konfiguration der Geräte-Adresse und Baudrate Sync/ Async, Node/Lifeguarding, Heartbeat; Nullpunkt und Spanne ± 10 % einstellbar über Einträge ins Objektverzeichnis 2)</p>
Eingangswiderstand R_e	750 \pm 30 Ω
Ausgangswiderstand R_a	700 \pm 5 Ω
Isolationswiderstand R_{IS}	\geq 5.000 M Ω
Versorgungsspannung UB	DC 9 ... 36 V für Stromausgang DC 13 ... 36 V für Spannungsausgang DC 5 ... 10 V für mV/V DC 9 ... 36 V für CANopen®
Schutzart (nach IEC/EN 60529)	IP67

1) Relative Linearitätsabweichung ist nach Richtlinie VDI/VDE/DKD 2638 Kapitel 3.2.6 angegeben.

2) Protokoll nach CiA®301, Geräteprofil CiA®404, Kommunikationsdienst LSS (CiA®305)
CANopen® und CiA® sind registrierte Gemeinschaftsmarken des CAN® in Automation e. V.

9. Technische Daten

9.1 Abmessungen





Beispielhafte Darstellung.

Bemaßung: Es gilt vorrangig die kundenspezifische Messachszeichnung der jeweiligen Bestellnummer

Weitere technische Daten siehe WIKA-Datenblatt FO 51.55 und Bestellunterlagen.





9.2 Zulassungen

Logo	Beschreibung	Region
	EU-Konformitätserklärung <ul style="list-style-type: none">■ EMV-Richtlinie■ RoHS-Richtlinie	Europäische Union
	EAC EMV-Richtlinie	Eurasische Wirtschaftsgemeinschaft

→ Zulassungen und Zertifikate siehe Webseite

10. Zubehör

10.1 Kabel mit Steckverbinder, Typ EZE53

Steckverbinder M12 x 1, Typ EZE53 mit angespritztem Kabel					
Typ	Beschreibung	Temperaturbereich	Kabel-durchmesser	Kabel-länge	Bestell-nummer
	Gerade Ausführung, offenes Ende, 4-polig, PUR-Kabel, UL listed, IP67	-20 ... +80 °C [-4 ... +176 °F]	Ø 4,75 mm ... 5,7 mm [Ø 0,18 in ... 0,22 in]	2 m [6,6 ft]	14259451
				5 m [16,4 ft]	14259453
				10 m [32,8 ft]	14259454
	Gerade Ausführung, offenes Ende, 5-polig, PUR-Kabel, UL listed, IP67	-20 ... +80 °C [-4 ... +176 °F]	Ø 4,75 mm ... 5,7 mm [Ø 0,18 in ... 0,22 in]	2 m [6,6 ft]	14259458
				5 m [16,4 ft]	79100672
				10 m [32,8 ft]	14259472
	Abgewinkelte Ausführung, offenes Ende, 4-polig, PUR-Kabel, UL listed, IP67	-20 ... +80 °C [-4 ... +176 °F]	Ø 5,05 mm ... 6 mm [Ø 0,2 in ... 0,24 in]	2 m [6,6 ft]	14259452
				5 m [16,4 ft]	14293481
				10 m [32,8 ft]	14259455
	Abgewinkelte Ausführung, offenes Ende, 5-polig, PUR-Kabel, UL listed, IP67	-20 ... +80 °C [-4 ... +176 °F]	Ø 5,05 mm ... 6 mm [Ø 0,2 in ... 0,24 in]	2 m [6,6 ft]	79101493
				5 m [16,4 ft]	79100686
				10 m [32,8 ft]	Auf Anfrage

Andere Kabellängen und Kabelarten sind auf Anfrage erhältlich.

WIKA-Zubehör finden Sie online unter www.wika.de.



WIKA subsidiaries worldwide can be found online at www.wika.com.
WIKA Niederlassungen weltweit finden Sie online unter www.wika.com.



Importer for UK
WIKA Instruments Ltd
Unit 6 and 7 Goya Business park
The Moor Road
Sevenoaks
Kent
TN14 5GY



WIKA Alexander Wiegand SE & Co. KG
Alexander-Wiegand-Straße 30
63911 Klingenberg • Germany
Phone +49 9372 132-0
info@wika.de
www.wika.de